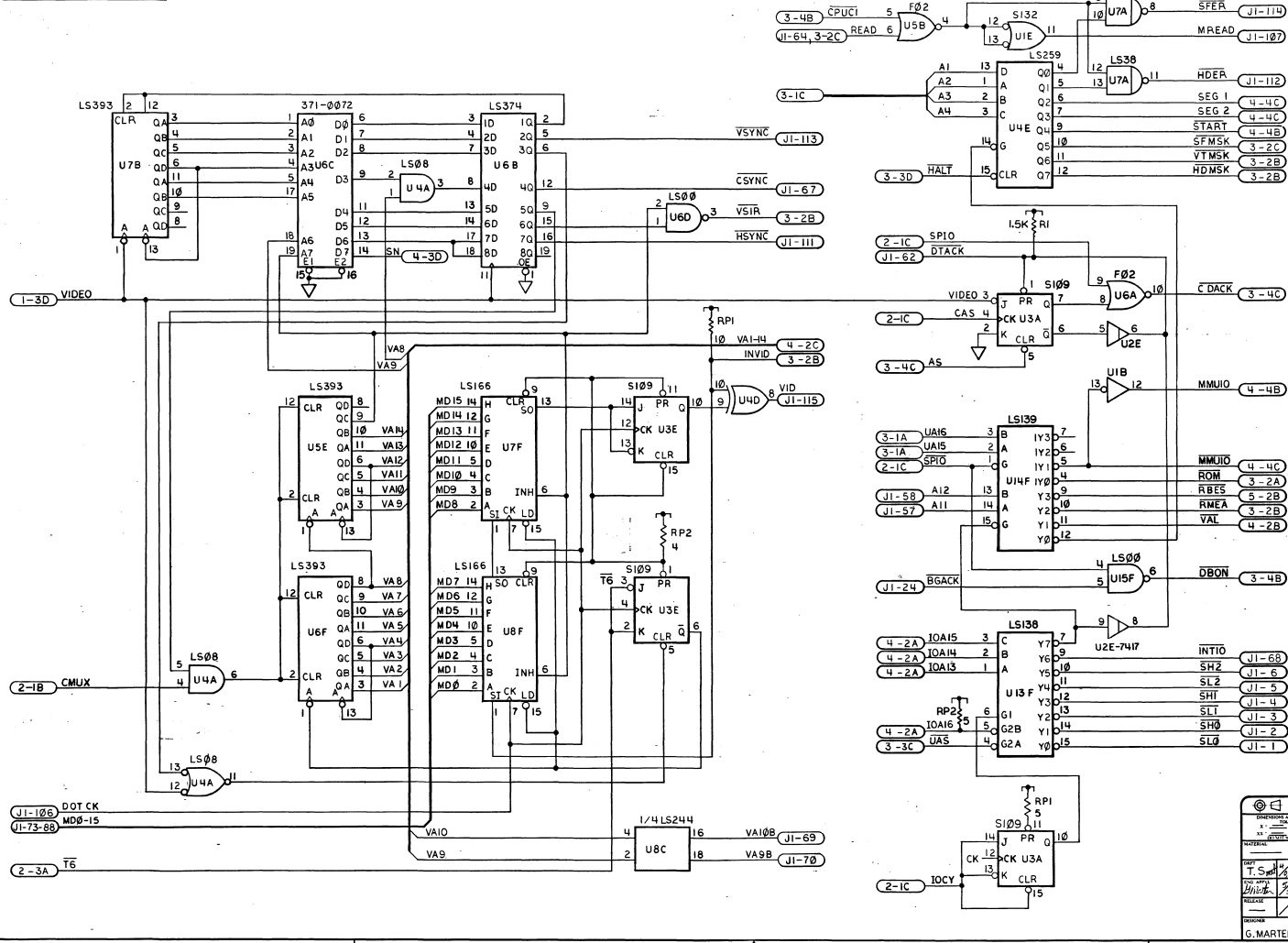


NOTE: UNLESS OTHERWISE SPECIFIED

REV ZONE ECO # REVISION APPD  
SEE SHT. 1



<small>CONNECTIONS ARE UNLESS OTHERWISE SPECIFIED</small> <small>1" = 25.4mm</small> <small>1/16" = 1.57mm</small> <small>1/32" = 0.7875mm</small> <small>1/64" = 0.39375mm</small>		<small>NOTICE OF PROPRIETARY PROPERTY</small> <small>THIS DOCUMENT CONTAINS UNCLASSIFIED INFORMATION WHICH IS THE PROPRIETARY PROPERTY OF APPLE COMPUTER, INC. THIS DOCUMENT IS LOANED TO YOU UNDER THE FOLLOWING CONDITIONS:</small> <small>1. YOU MAY REPRODUCE THIS DOCUMENT IN CONFIDENCE AND NOT TO BE RELEASED OR COPIED TO ANY OTHER PERSON OR PART.</small>	
<small>DEPT:</small> T. S. <input type="checkbox"/> <small>DESIGN:</small> <input type="checkbox"/> <small>VERIFY:</small> <input type="checkbox"/> <small>RELEASE:</small> <input type="checkbox"/> <small>REWORK:</small> <input type="checkbox"/> <small>REVISION:</small> <input type="checkbox"/>	<small>DATE:</small> <small>BY:</small> G. MARTEN	<small>TITLE:</small> SCHEMATIC, CPU LISA	<small>QTY:</small> 5 <small>REV:</small> 5
<small>DESIGNER:</small> G. MARTEN		<small>DATE:</small> 1977	<small>QTY:</small> 5 <small>REV:</small> 5

91616001-090