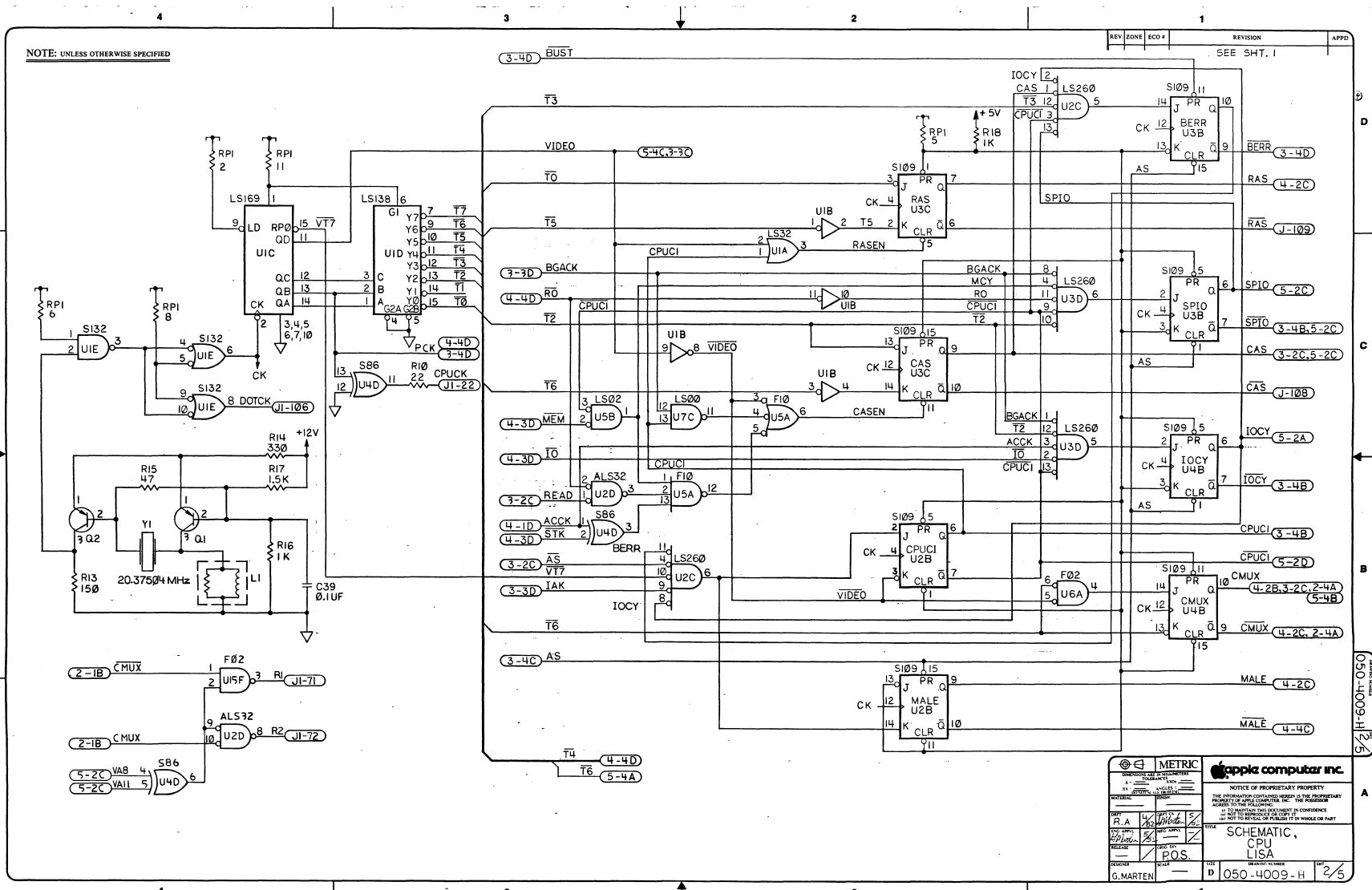


NOTE: UNLESS OTHERWISE SPECIFIED

REV ZONE ECD 1 REVISION SEE SHT. 1 APPD



<p>NOTICE OF PROPRIETARY PROPERTY</p> <p>THE INFORMATION CONTAINED HEREIN IS THE PROPRIETARY PROPERTY OF APPLE COMPUTER, INC. THE REPRODUCTION OR TRANSMISSION OF THIS INFORMATION IN ANY FORM OR BY ANY MEANS WITHOUT THE WRITTEN PERMISSION OF APPLE COMPUTER, INC. IS PROHIBITED.</p>			
DATE: R.A. DESIGNED BY: [Signature] CHECKED BY: [Signature] RELEASED BY: [Signature]	TITLE: SCHEMATIC, CPU LISA P.O.S.	DATE: [Date] DESIGNED BY: G. MARTEN	DRAWN BY: [Signature] CHECKED BY: [Signature] RELEASED BY: [Signature]
050-4009-H-2/5		050-4009-H 2/5	