

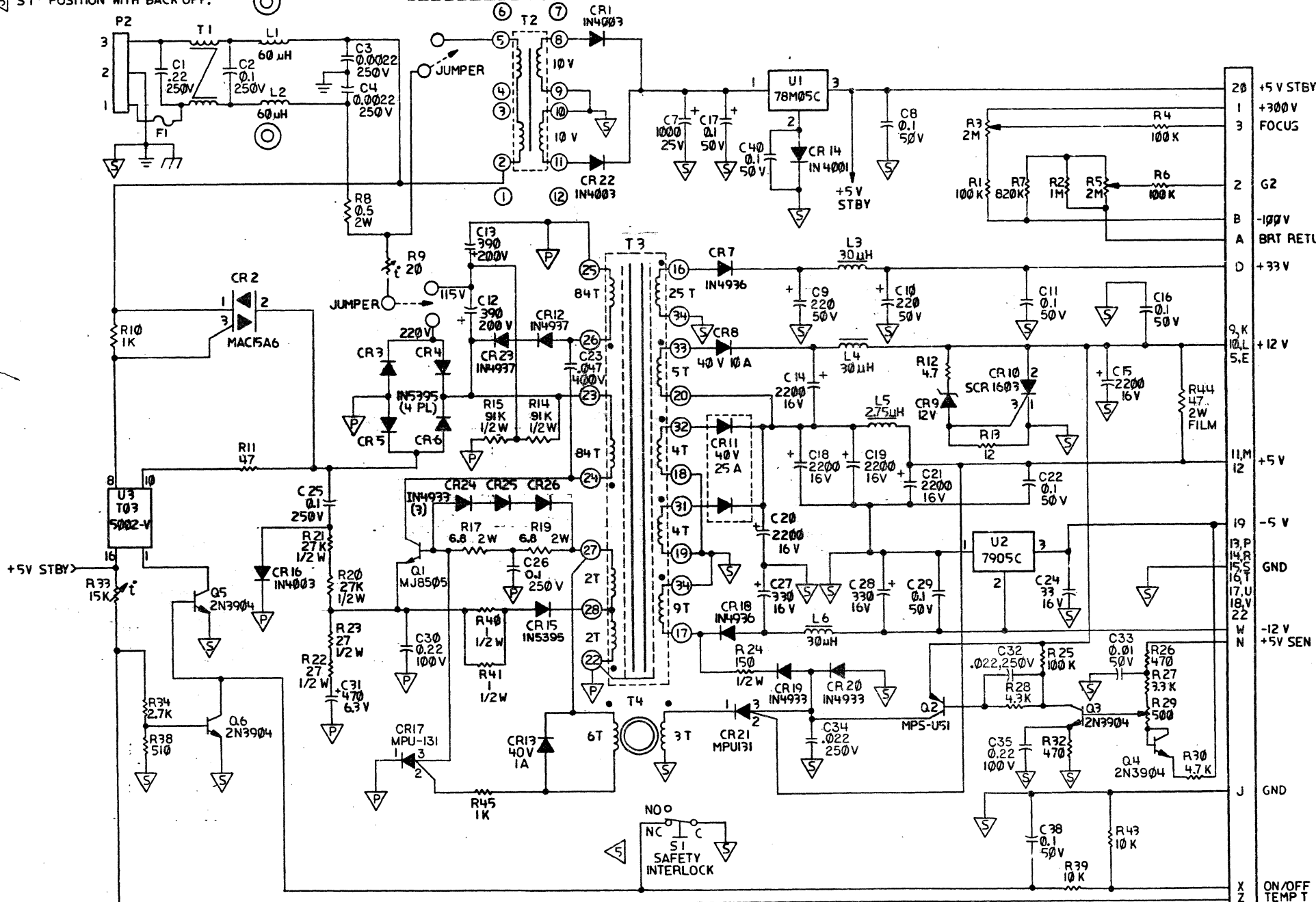
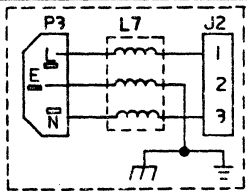




NOTE: UNLESS OTHERWISE SPECIFIED

1. RESISTOR VALUES ARE IN OHMS 1/4 WATT ± 5%.
2. ALL CAPACITOR VALUES ARE IN MICROFARADS.
3.  DENOTES PRIMARY GROUND.
4.  DENOTES SECONDARY GROUND.
5. S1 POSITION WITH BACK OFF.



REV.	ZONE	ECO #	REVISION	APPD
A		6086	INITIAL RELEASE	
B	A3B2	B092	ADDED CR13, LABELED R26 470	FB 4/83
C		B115	ADDED F1, CR3-6 WERE IN4003	
D		B115	CR18 WAS IN4933, C23 WAS 250V, R14 & R15 WERE 47K, C12 & C13 WERE 220 UF, CR15 WAS IN4001 DELETED, R16 & R17 & R19 WERE 20 OHM 1/2 W, C26 WAS 0.68 UF	FB
E		B161	R20 & R21 WERE 47K	FB 2/83
F		B213	ADDED CR24-26 + R45, C33 WAS 0.22, C8 + C8 WERE 0.47, C12 + C13 WERE 330.	FB 4/83
H	C3	B258	ADDED JUMPER BETWEEN C12 & C13 TO R14.	FB 4/83

HIGHEST REF DESIGNATION USED
C40, CR26, L6, Q6, R45, SW1, T4, U3

 METRIC DIMENSIONS ARE IN MILLIMETERS TOLERANCES: X.XX ANGLES: FINISH: MATERIAL:		 apple computer inc. NOTICE OF PROPRIETARY PROPERTY THE INFORMATION CONTAINED HEREIN IS THE PROPRIETARY PROPERTY OF APPLE COMPUTER, INC. THE POSSESSOR AGREES TO THE FOLLOWING: 1. TO MAINTAIN THIS DOCUMENT IN CONFIDENCE 2. NOT TO REPRODUCE OR COPY IT 3. NOT TO REVEAL OR PUBLISH IT IN WHOLE OR PART	
DATE: 11/81 ENG: [Signature] DESIGNED BY: [Signature] CHECKED BY: [Signature] RELEASE: [Signature] DESIGNER: CHRISTNER		TITLE: SCHEMATIC, POWER SUPPLY LISA P.O.S. SCALE: NONE SIZE: D DRAWING NUMBER: 050-4011-H SHEET: 1/1	

H-1101-050