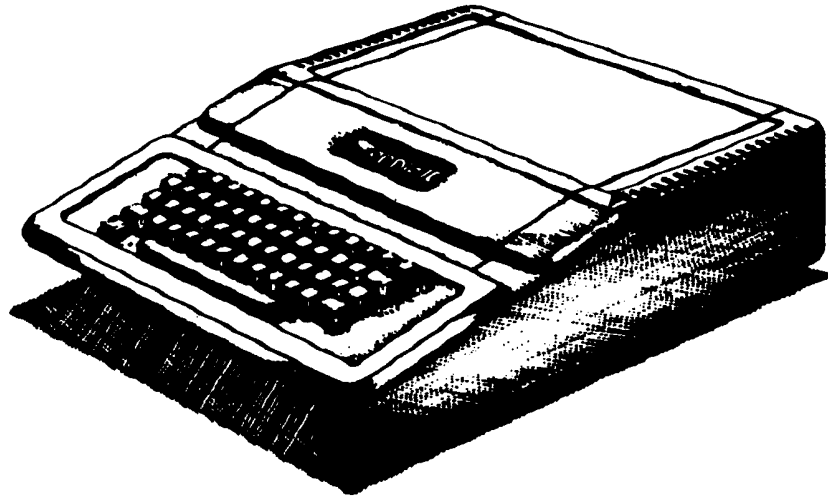




Apple 2 Computer Technical Information



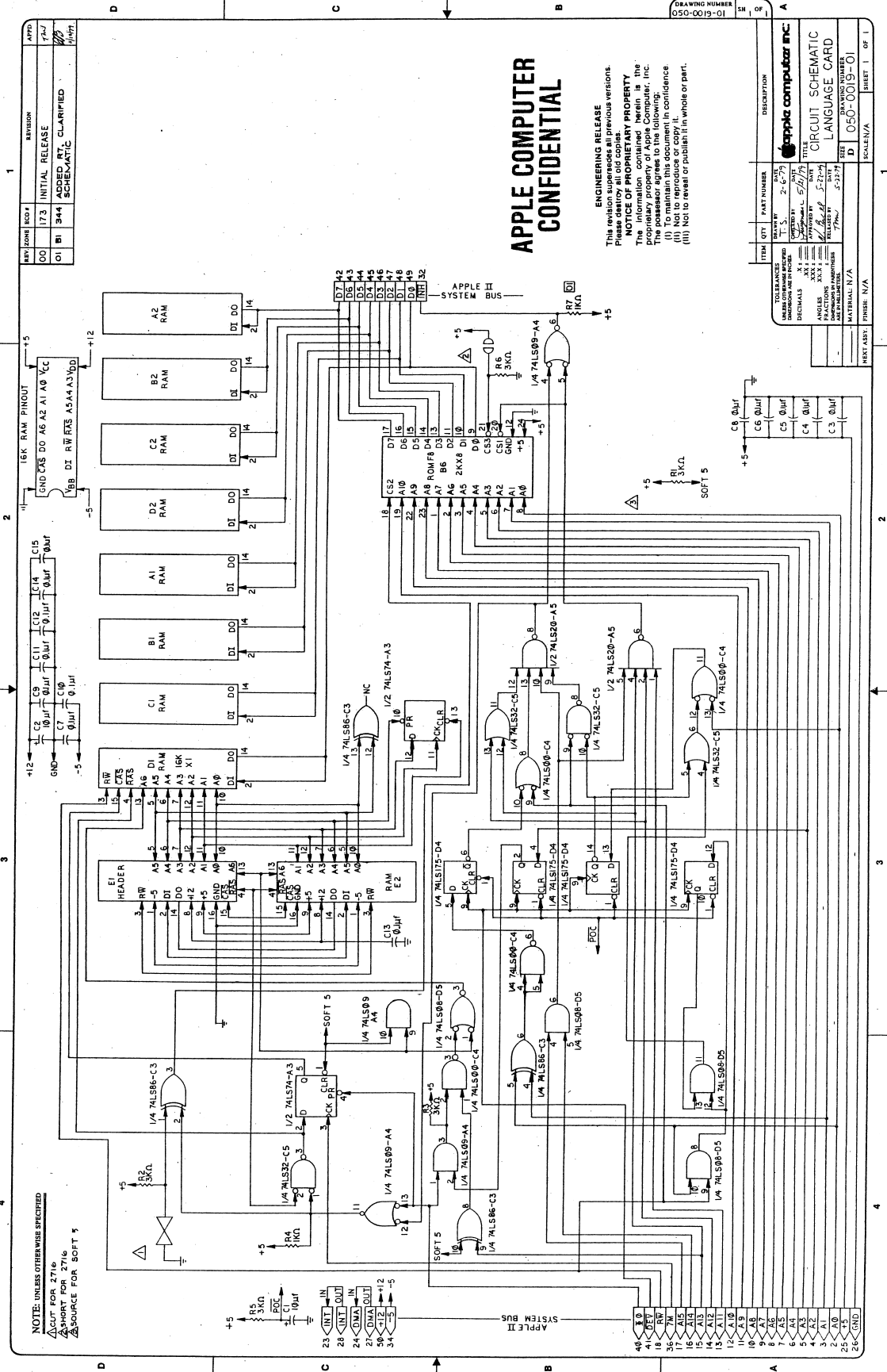
Apple II Computer Family Information

Schematic: Language (RAM) Card
050-0019-01 11/79

Apple Service Level 2 Technical Reference #204-1011 vol. 2

Document # **521**

Ex Libris David T. Craig



NOTE: UNLESS OTHERWISE SPECIFIED
 Δ SHORT FOR 2716
 Δ SOURCE FOR SOFT 5

**APPLE COMPUTER
 CONFIDENTIAL**

ENGINEERING RELEASE
 This revision supersedes all previous versions.
 Please destroy all old copies.
NOTICE OF PROPRIETARY PROPERTY
 This document contains proprietary information of Apple Computer, Inc.
 The possessor agrees to the following:
 (I) To maintain this document in confidence
 (II) To not reproduce or disseminate this document
 (III) Not to reveal or publish it in whole or part.

DRAWING NUMBER 050-0019-01		SH	OF	1
DESCRIPTION CIRCUIT SCHEMATIC LANGUAGE CARD				
DRAWN BY: T.S. (2-6-77)				
CHECKED BY: J.P. (5-21-77)				
APPROVED BY: J.P. (5-21-77)				
DATE: 7/77				
MATERIAL N/A				
INSTR. ADDR. / INSTR. N/A				
SCALE: N/A				
SHEET 1 OF 1				