

# EPSON

Interface Card  
for LocalTalk™

# C82312\*

**English**  
**Deutsch**  
**Français**  
**Español**  
**Italiano**

All rights reserved. No part of this publication may be reproduced, stored in a retrieval system, or transmitted in any form or by any means, mechanical, photocopying, recording, or otherwise, without the prior written permission of Seiko Epson Corporation. No patent liability is assumed with respect to the use of the information contained herein. While every precaution has been taken in the preparation of this book, Seiko Epson Corporation assumes no responsibility for errors or omissions. Neither is any liability assumed for damages resulting from the use of the information contained herein.

Neither Seiko Epson Corporation nor its affiliates shall be liable to the purchaser of this product or third parties for damages, losses, costs, or expenses incurred by purchaser or third parties as a result of: accident, misuse, or abuse of this product or unauthorized modifications, repairs, or alterations to this product, or (excluding the U.S.) failure to strictly comply with Seiko Epson Corporation's operating and maintenance instructions.

Epson is registered trademark of Seiko Epson Corporation. Apple, AppleTalk, Macintosh, Apple IIGS are registered trademarks of Apple Computer, Inc. LocalTalk is a trademark of Apple Computer, Inc. PostScript is a trademark or a registered trademark of Adobe Systems Incorporated.

Copyright © 1994 by Seiko Epson Corporation  
Nagano, Japan

## **FCC COMPLIANCE STATEMENT FOR AMERICAN USERS**

---

This equipment has been tested and found to comply with the limits for a Class B digital device, pursuant to Part 15 of the FCC Rules. These limits are designed to provide reasonable protection against harmful interference in a residential installation. This equipment generates, uses, and can radiate radio frequency energy and, if not installed and used in accordance with the instructions, may cause harmful interference to radio communications. However, there is no guarantee that interference will not occur in a particular installation. If this equipment does cause harmful interference to radio or television reception, which can be determined by turning the equipment off and on, the user is encouraged to try to correct the interference by one or more of the following measures:

- Reorient or relocate the receiving antenna
- Increase the separation between the equipment and receiver
- Connect the equipment into an outlet on a circuit different from that to which the receiver is connected
- Consult the dealer or an experienced radio/TV technician for help

This device complies with Part 15 of the FCC Rules. Operation is subject to the following two conditions:

- (1) this device may not cause harmful interference, and
- (2) this device must accept any interference received, including interference that may cause undesired operation

### **FOR CANADIAN USERS**

This digital apparatus does not exceed the Class B limits for radio noise emissions from digital apparatus as set out in the radio interference regulation, of the Canadian Department of Communications.

Le présent appareil numérique n'émet pas de bruits radioélectriques dépassant les limites applicables aux appareils numériques de Class B prescrites dans le règlement sur le brouillage radioélectrique édicté par le Ministère des Communications du Canada.

### **WARNING**

The connection of a non-shielded equipment interface cable to this equipment will invalidate the FCC Certification of this device and may cause interference levels which exceed the limits established by the FCC for this equipment. It is the responsibility of the user to obtain and use a shielded equipment interface cable with this device. If this equipment has more than one interface connector, do not leave cables connected to unused interfaces.

Changes or modifications not expressly approved by Epson America, Inc., could void the user's authority to operate the equipment.

Seiko Epson Corporation shall not be liable against any damages or problems arising from the use of any options or any consumables products other than those designated as Original Epson Products or Epson Approved Products by Seiko Epson Corporation.

## TABLE OF CONTENTS

INTRODUCTION	2
About this guide	3
What is AppleTalk® ?	3
INSTALLATION	4
SELF TEST	6
Jumper	6
Self-test printing	7
SPECIFICATION	8

## INTRODUCTION

The Interface Card for LocalTalk C82312\* is an interface that allows a Macintosh®-family computer to use an EPSON printer via an AppleTalk network. Once the interface card and appropriate driver are installed, the printer becomes a standard LocalTalk device that does not require special command sequences to initiate print jobs. The Interface Card for LocalTalk C82312\* is a simple “plug and go” card, significantly reducing installation time and expense.

The interface card offers the following features:

- Easy installation
- No DIP switches to set
- An additional Macintosh compatible serial port that is compatible with most serial devices, for use in future network expansion.

The following Macintosh family computers can be connected directly via LocalTalk cabling:

Apple® Macintosh Plus, SE, Classic, Classic II, SE/30, LC, LC II, II, II x, II cx, II si, II ci, 11 fx, Portable, Quadra series, Powerbook series.

## **About this guide**

This guide is designed to give you detailed information on how to install your C82312\* LocalTalk Interface Card in an EPSON printer.

The C82312\* package contains the following items:

- C82312\* Interface Card
- Manual

In addition to these items, you must obtain a LocalTalk Locking Connector Kit Din-8 for your printer.

## **What is AppleTalk ?**

AppleTalk is the local area network protocol developed by Apple Computer, Inc. as a standard for Macintosh computer communication. LocalTalk provides the physical link between devices and computers over the network. LocalTalk hardware is built into every Macintosh and Apple IIGS<sup>®</sup> and requires the appropriate twisted pair cabling to activate. The AppleTalk network system was designed as a seamless extension of the Macintosh, allowing easy access to remote resources and interaction with other users through personal computers.

## INSTALLATION

The C82312\* interface Card is designed for easy installation inside the printer. Installation or removal of the interface card is simple, and requires only a screwdriver and the printer manual.

The following section gives you detailed information on how to install your interface card in your EPSON printer.

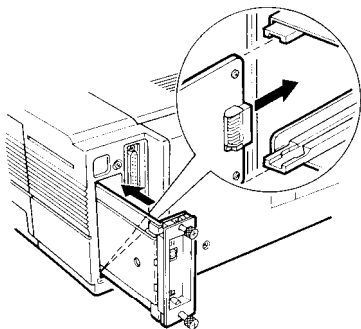
---

### Caution

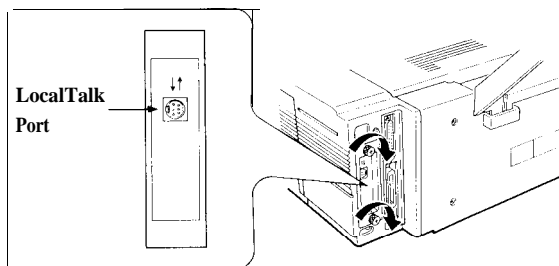
- Turn off the power to the printer and the computer before installing the interface card. Make sure that all power and interface cables have been removed.
  - Avoid touching the printer circuits or card circuit board contacts, as many of these components are sensitive to static electric charges that may build up on your body.
- 

1. Use a screwdriver to remove the screws securing the shield plate; then lift off the plate.
2. Fit both sides of the interface card into the guides inside the compartment.

3. Insert the interface card until the interface pins mate with the connector inside your printer.



4. Secure the interface with the two screws

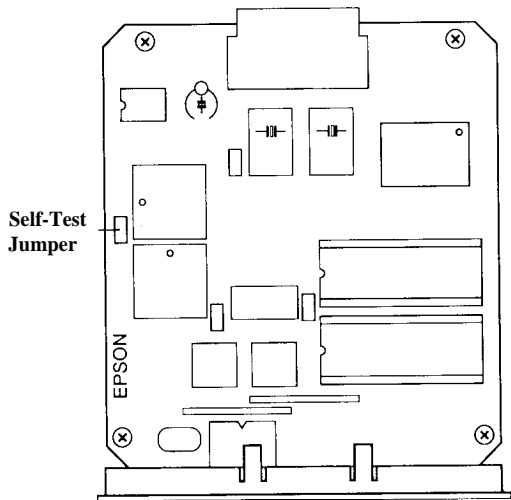


5. Attach your LocalTalk connector (not included) to the LocalTalk port of the interface card.



## SELF TEST

The C82312\* interface card has one jumper used for selecting the self-test function.



### Jumper

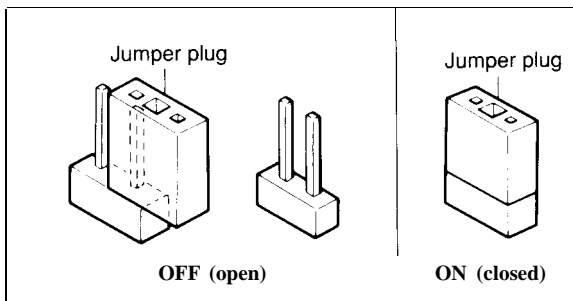
The jumper is a small terminal used for connecting or disconnecting a circuit. The jumper is on when the plug covers both wires of the terminal. Jumper settings can be changed by either attaching or removing the rectangular jumper plug. If the jumper is to be turned off, connect it to just one of the two terminal pins. By doing this, you can avoid losing the unused jumper plug.

## Self-test printing

When the jumper is OFF, the interface card operates normally. When the jumper is ON, the printer starts self-test printing. The printout is always truncated at 80 columns.

To stop self-test printing, turn the printer power off and set the interface card jumper to the OFF position.

### *Jumpers*



---

### **Note**

The self-test printing function is not available for EPSON Page printers in PostScript™ mode. In this case, always leave the self-test jumper in its original position (OFF).

---

## SPECIFICATION

### LocalTalk Port

1. Compliancy: Phase 1 and phase 2
2. Baud Rate: 230.4 kbps
3. Topology: Parallel bus, low-resistance transformer isolated, floating ground
4. Signaling standard: EIA standard RS-422, balanced voltage
5. Network signal rates: Speed independent. Speeds in excess of 1 Mbps
6. Signal encoding: FM0 (bi-phase) space
7. Frame format: SDLC (Synchronous Data Link Control)
8. Maximum number of nodes per network: Limited by traffic
9. Node Identification: AppleTalk logical address is self-configuring; no user action required
10. Cabling: AppleTalk 8-pin miniDIN

---

---

EPSON OVERSEAS MARKETING LOCATIONS

---

---

---

EPSON AMERICA, INC.

20770 Madrona Ave  
P. O. BOX 2842  
Torrance, CA 90509-2842  
Phone: (800) 922-8911  
Fax (310) 782-5220

---

EPSON UK LTD.

Campus 100, Maylands Avenue  
Hemel Hempstead, Herts.  
HP2 7TJ. UK  
Phone: (+44) 01442 61144  
Fax: (+44) 01442 227227

---

EPSON DEUTSCHLAND GmbH

Zülpicher Straße 6,  
40549 Düsseldorf Germany  
Phone: (0211) 56030  
Telex: 8584786

---

EPSON FRANCE S.A.

68 bis. rue Marjolin  
92300, Levallois-Perret, France  
Phone: (1) 4087-3737  
Telex: 610657

---

EPSON AUSTRALIA PTY. LTD.

1170 Gibbes street, Chatswood 2057 NSW  
Phone: 2-4 15-9000  
Fax: 2-417-0077

---

EPSON SINGAPORE PTE. LTD.

No. 1 Raffles Place #26-00  
OUB centre, Singapore 0104  
Phone: 5330477  
Fax: 5338119

---

EPSON HONG KONG LTD.

Rooms 47056-10 47/F.  
China Resources Bldg.,  
26 Harbour Road. Wanchai Hong Kong  
Phone: 5854300  
Fax: 8277083

---

EPSON ELECTRONICS TRADING LTD.

(TAIWAN BRANCH)  
10F No. 287 Nanking E. Road. Sec. 3  
Taipei, Taiwan R. O. C.  
Phone: (02) 717-7360  
Fax: (02) 712-9164

---

EPSON ITALIA S.p.A.

V. le F.lli/ casiraghi 427  
20099 Sesto S. Giovanni,  
MI. Italy  
Phone: 2-262331  
Fax: 2-2440750

---

EPSON IBERICA S.A.

Av. de Roma, 18-26  
08290 Cerdanyola del Valles  
Barcelona, Spain  
Phone: 582, 15.00  
Fax: 582. 15.55

---

SEIKO EPSON CORPORATION

(Hirooka Office)  
80 Harashinden. Hiroka  
Shijiri-shi, Nagano-ken  
399-07 Japan

---

**EPSON**