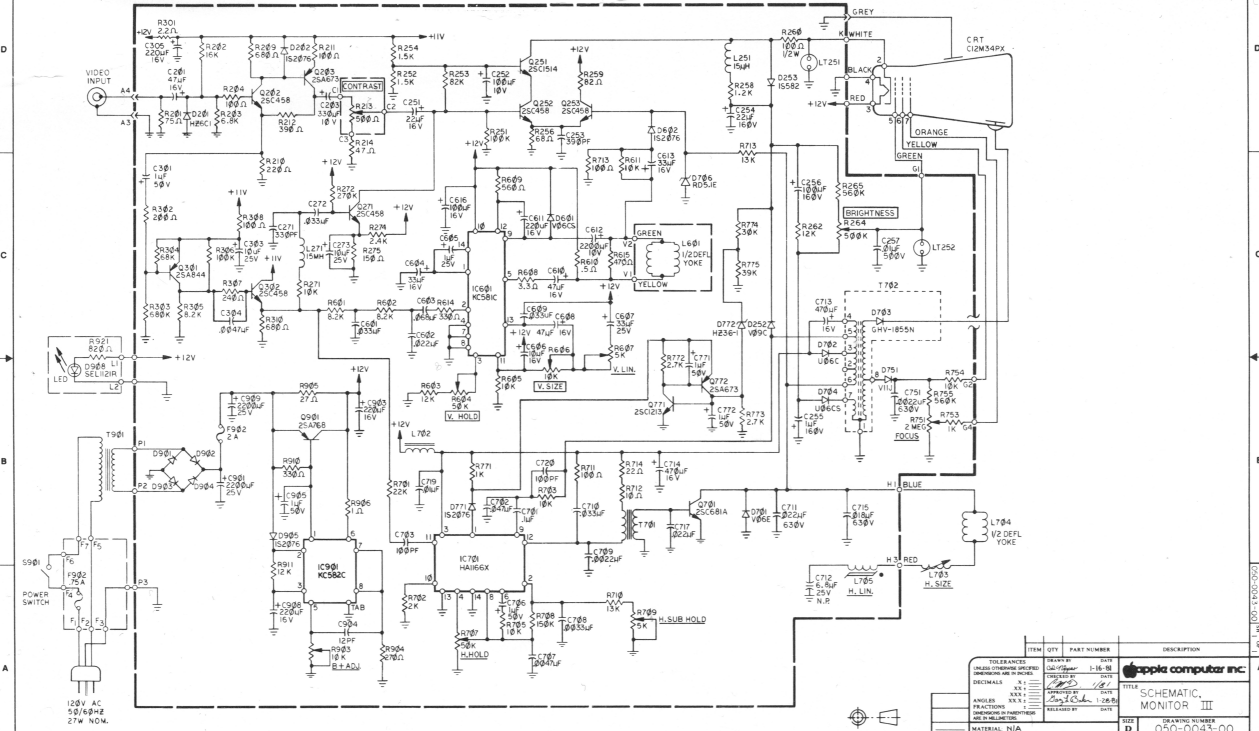


NOTE: UNLESS OTHERWISE SPECIFIED



ITEM	QTY	PART NUMBER	DESCRIPTION
1	1	IC601	IC601 KC581C
2	1	IC701	IC701 HA186X
3	1	IC901	IC901 KC680C
4	1	L702	L702 V2 DEFL YOKE
5	1	L703	L703 V2 DEFL YOKE
6	1	L704	L704 V2 DEFL YOKE
7	1	L705	L705 V2 DEFL YOKE
8	1	L706	L706 V2 DEFL YOKE
9	1	L707	L707 V2 DEFL YOKE
10	1	L708	L708 V2 DEFL YOKE
11	1	L709	L709 V2 DEFL YOKE
12	1	L710	L710 V2 DEFL YOKE
13	1	L711	L711 V2 DEFL YOKE
14	1	L712	L712 V2 DEFL YOKE
15	1	L713	L713 V2 DEFL YOKE
16	1	L714	L714 V2 DEFL YOKE
17	1	L715	L715 V2 DEFL YOKE
18	1	L716	L716 V2 DEFL YOKE
19	1	L717	L717 V2 DEFL YOKE
20	1	L718	L718 V2 DEFL YOKE
21	1	L719	L719 V2 DEFL YOKE
22	1	L720	L720 V2 DEFL YOKE
23	1	L721	L721 V2 DEFL YOKE
24	1	L722	L722 V2 DEFL YOKE
25	1	L723	L723 V2 DEFL YOKE
26	1	L724	L724 V2 DEFL YOKE
27	1	L725	L725 V2 DEFL YOKE
28	1	L726	L726 V2 DEFL YOKE
29	1	L727	L727 V2 DEFL YOKE
30	1	L728	L728 V2 DEFL YOKE
31	1	L729	L729 V2 DEFL YOKE
32	1	L730	L730 V2 DEFL YOKE
33	1	L731	L731 V2 DEFL YOKE
34	1	L732	L732 V2 DEFL YOKE
35	1	L733	L733 V2 DEFL YOKE
36	1	L734	L734 V2 DEFL YOKE
37	1	L735	L735 V2 DEFL YOKE
38	1	L736	L736 V2 DEFL YOKE
39	1	L737	L737 V2 DEFL YOKE
40	1	L738	L738 V2 DEFL YOKE
41	1	L739	L739 V2 DEFL YOKE
42	1	L740	L740 V2 DEFL YOKE
43	1	L741	L741 V2 DEFL YOKE
44	1	L742	L742 V2 DEFL YOKE
45	1	L743	L743 V2 DEFL YOKE
46	1	L744	L744 V2 DEFL YOKE
47	1	L745	L745 V2 DEFL YOKE
48	1	L746	L746 V2 DEFL YOKE
49	1	L747	L747 V2 DEFL YOKE
50	1	L748	L748 V2 DEFL YOKE
51	1	L749	L749 V2 DEFL YOKE
52	1	L750	L750 V2 DEFL YOKE
53	1	L751	L751 V2 DEFL YOKE
54	1	L752	L752 V2 DEFL YOKE
55	1	L753	L753 V2 DEFL YOKE
56	1	L754	L754 V2 DEFL YOKE
57	1	L755	L755 V2 DEFL YOKE
58	1	L756	L756 V2 DEFL YOKE
59	1	L757	L757 V2 DEFL YOKE
60	1	L758	L758 V2 DEFL YOKE
61	1	L759	L759 V2 DEFL YOKE
62	1	L760	L760 V2 DEFL YOKE
63	1	L761	L761 V2 DEFL YOKE
64	1	L762	L762 V2 DEFL YOKE
65	1	L763	L763 V2 DEFL YOKE
66	1	L764	L764 V2 DEFL YOKE
67	1	L765	L765 V2 DEFL YOKE
68	1	L766	L766 V2 DEFL YOKE
69	1	L767	L767 V2 DEFL YOKE
70	1	L768	L768 V2 DEFL YOKE
71	1	L769	L769 V2 DEFL YOKE
72	1	L770	L770 V2 DEFL YOKE
73	1	L771	L771 V2 DEFL YOKE
74	1	L772	L772 V2 DEFL YOKE
75	1	L773	L773 V2 DEFL YOKE
76	1	L774	L774 V2 DEFL YOKE
77	1	L775	L775 V2 DEFL YOKE
78	1	L776	L776 V2 DEFL YOKE
79	1	L777	L777 V2 DEFL YOKE
80	1	L778	L778 V2 DEFL YOKE
81	1	L779	L779 V2 DEFL YOKE
82	1	L780	L780 V2 DEFL YOKE
83	1	L781	L781 V2 DEFL YOKE
84	1	L782	L782 V2 DEFL YOKE
85	1	L783	L783 V2 DEFL YOKE
86	1	L784	L784 V2 DEFL YOKE
87	1	L785	L785 V2 DEFL YOKE
88	1	L786	L786 V2 DEFL YOKE
89	1	L787	L787 V2 DEFL YOKE
90	1	L788	L788 V2 DEFL YOKE
91	1	L789	L789 V2 DEFL YOKE
92	1	L790	L790 V2 DEFL YOKE
93	1	L791	L791 V2 DEFL YOKE
94	1	L792	L792 V2 DEFL YOKE
95	1	L793	L793 V2 DEFL YOKE
96	1	L794	L794 V2 DEFL YOKE
97	1	L795	L795 V2 DEFL YOKE
98	1	L796	L796 V2 DEFL YOKE
99	1	L797	L797 V2 DEFL YOKE
100	1	L798	L798 V2 DEFL YOKE

THIRD ANGLE PROJECTION
DO NOT SCALE DRAWING
NEXT ASSY: FINISH: N/A

apple computer inc.

TITLE: SCHEMATIC, MONITOR III

DATE: 1-16-78

DRAWN BY: [Signature]

CHECKED BY: [Signature]

APPROVED BY: [Signature]

DATE: 1-16-78

SCALE: NONE

SHEET: 1 OF 1