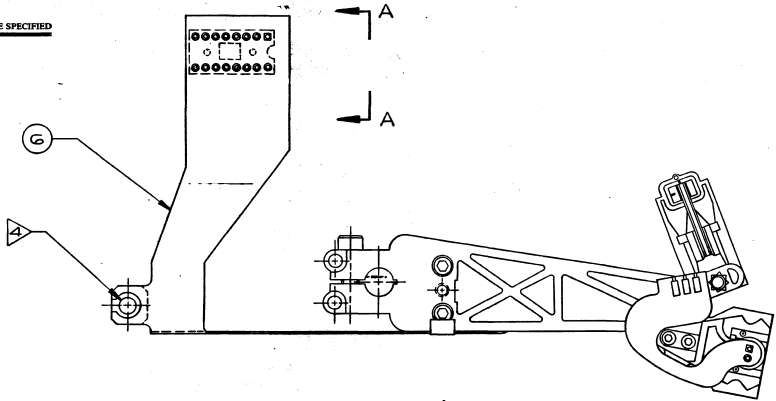
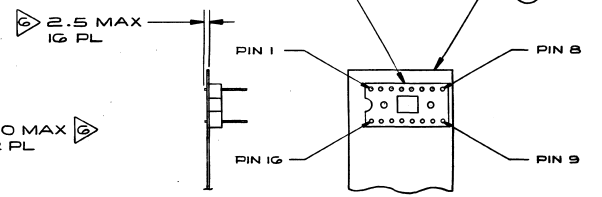


NOTE: UNLESS OTHERWISE SPECIFIED

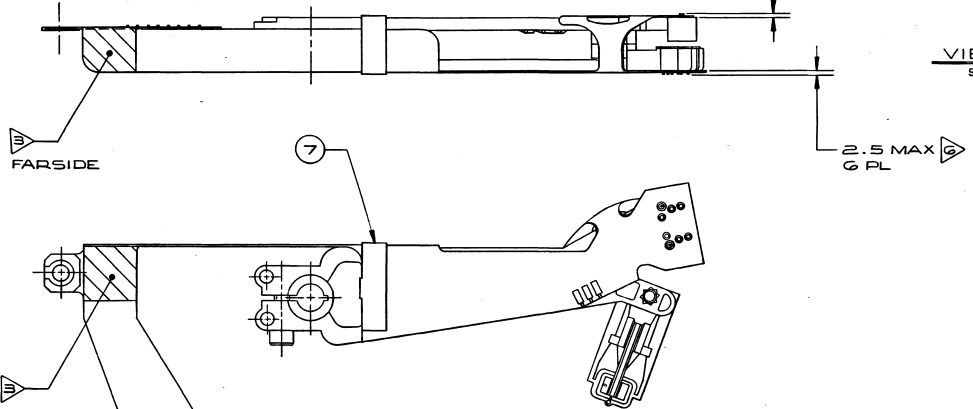
REV. ZONE	ECO #	REVISION	APPRO
		SEE SHEET 1	



ADAPTER PLUG
BOTTOM VIEW
(PIN SIDE)
REF



VIEW A-A
SCALE: 2X



METRIC <small>DESIGNED FOR METRIC DIMENSIONS IN MILLIMETERS UNLESS OTHERWISE SPECIFIED XX ANGLES IN DEGREES SPECIFICALLY NOTED</small>		apple computer inc. <small>NOTICE OF PROPRIETARY PROPERTY THE INFORMATION CONTAINED HEREIN IS THE PROPRIETARY PROPERTY OF APPLE COMPUTER, INC. AND IS TO BE KEPT CONFIDENTIAL. IT IS TO BE KEPT CONFIDENTIAL IN COMPLIANCE WITH THE EXPORT ADMINISTRATION REGULATIONS OF THE U.S. DEPARTMENT OF COMMERCE.</small>	
<small>PART NUMBER</small> 677-5013-A <small>REV. DATE</small> 11/84 <small>DESIGNED BY</small> M.S.D. <small>SCALE</small> 2x	<small>TITLE</small> SUBASSY, ARM, WIDGET <small>DATE</small> 11/84 <small>BY</small> M.S.D. <small>CHKD BY</small> M.S.D. <small>DATE</small> 11/84	<small>QTY</small> 1 <small>UNIT</small> PCB <small>SCALE</small> 2x <small>REV</small> 2	<small>DATE</small> 11/84 <small>BY</small> M.S.D. <small>CHKD BY</small> M.S.D. <small>DATE</small> 11/84

677-5013-A