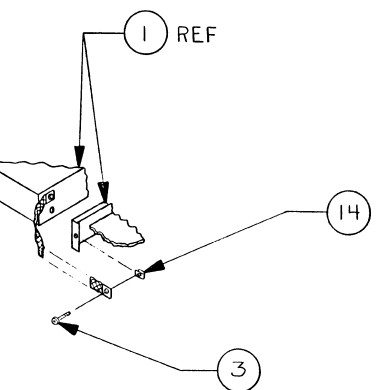
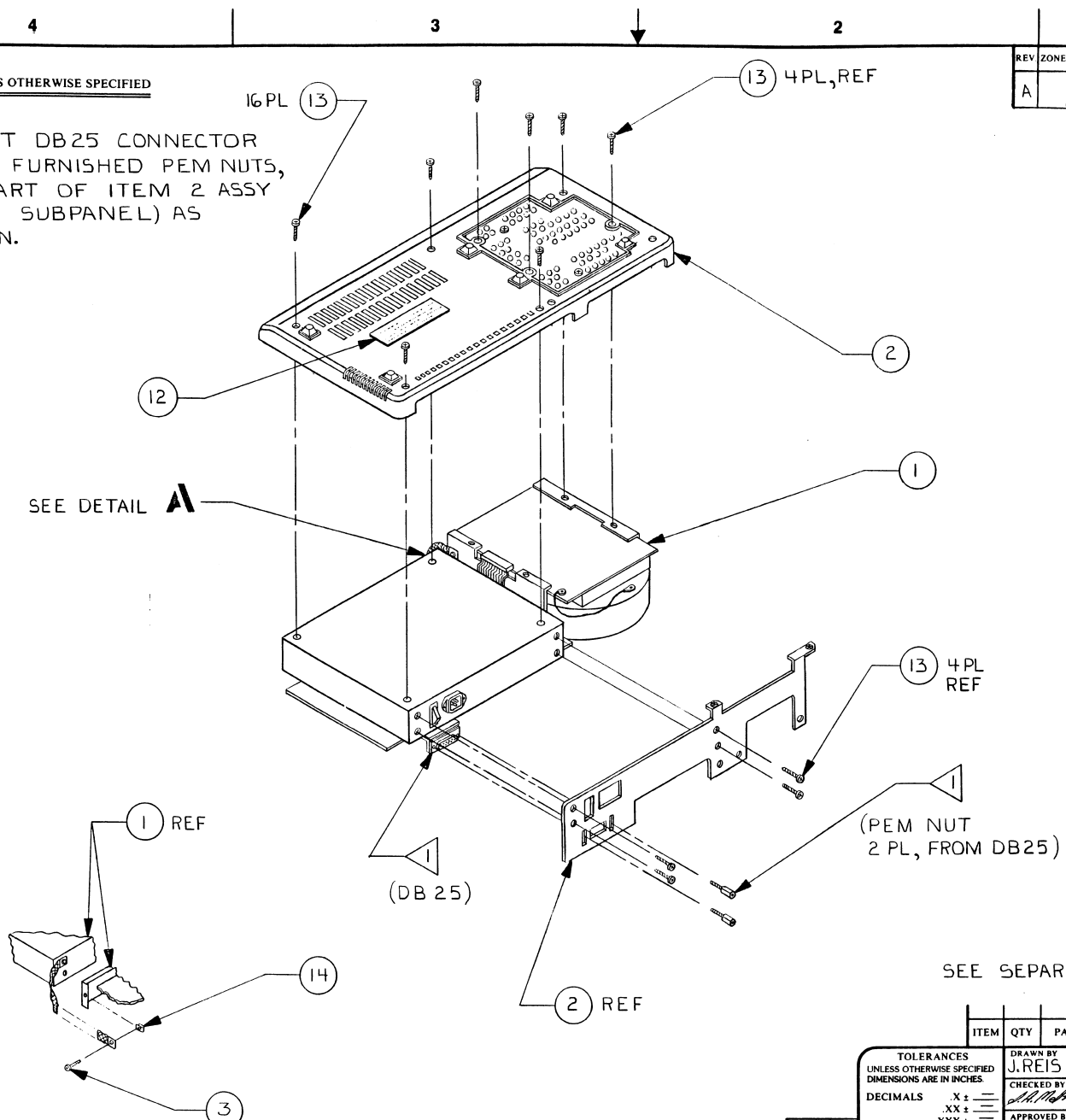


NOTE: UNLESS OTHERWISE SPECIFIED

1 MOUNT DB25 CONNECTOR WITH FURNISHED PEM NUTS, TO PART OF ITEM 2 ASSY (REAR SUBPANEL) AS SHOWN.

REV	ZONE	ECO #	REVISION	APPD	DATE
A		P670	INITIAL RELEASE	KRD	12-8-83



DETAIL A
SCALE: NONE

THIRD ANGLE PROJECTION
DO NOT SCALE DRAWING

SEE SEPARATE BILL OF MATL: 656-6121

ITEM	QTY	PART NUMBER	DESCRIPTION
TOLERANCES UNLESS OTHERWISE SPECIFIED DIMENSIONS ARE IN INCHES. DECIMALS .X ± — .XX ± — .XXX ± — FRACTIONS XX.X ± — DIMENSIONS IN PARENTHESIS ARE IN MILLIMETERS.			DRAWN BY J. REIS DATE 12-7-83 CHECKED BY <i>[Signature]</i> DATE 12-8-83 APPROVED BY <i>[Signature]</i> DATE 12/14/83 RELEASED BY <i>[Signature]</i> DATE 12/18/83
MATERIAL: N/A FINISH: N/A			apple computer inc. TITLE ASSEMBLY, CHASSIS, PROFILE-CLASS B DRAWING NUMBER 656-6121-A SCALE: NONE SHEET 1 OF 3

DRAWING NUMBER 656-6121-A SH 1 OF 3