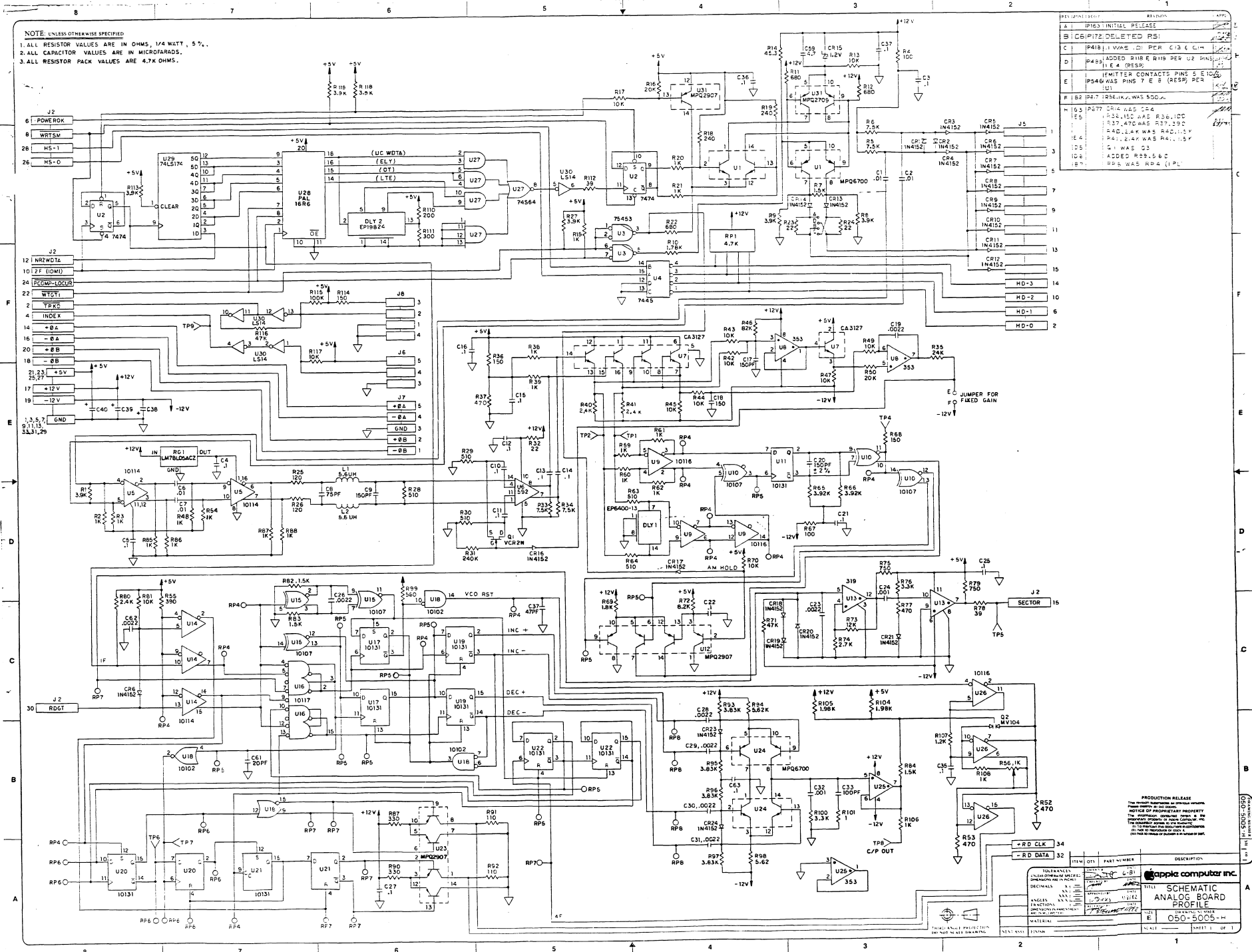


NOTE: UNLESS OTHERWISE SPECIFIED
 1. ALL RESISTOR VALUES ARE IN OHMS, 1/4 WATT, 5%.
 2. ALL CAPACITOR VALUES ARE IN MICROFARADS.
 3. ALL RESISTOR PACK VALUES ARE 4.7K OHMS.

REVISIONS

A	IP161 INITIAL RELEASE
B	ICB/P12 DELETED P15
C	P4181 1 WAVE 21 PER C13 L CM
D	P489 ADDED P18 E R19 PER U2 SHAS
E	EMITTER CONTACTS PINS 5 10
F	IP546 WAS PINS 7 E B (RESP) PER
G	IP547 186 INK WAS 500A
H	P277 CR14 WAS C14
I	R26,150 WAS R36,100
J	R37,470 WAS R37,330
K	R40,24K WAS R40,15K
L	R41,24K WAS R41,15K
M	G WAS D3
N	ADDED R27,56 C
O	R28 WAS R24 (1 PL)



PRODUCTION RELEASE
 This document contains Apple Computer's proprietary information and is not to be distributed outside the Apple Computer organization without the express written permission of Apple Computer, Inc. If you have received this document from an Apple Computer employee, you are authorized to use the information contained herein for the purpose of manufacturing and repairing Apple Computer products. If you have received this document from any other source, you are not authorized to use the information contained herein for any purpose. If you have received this document from any other source, you are not authorized to use the information contained herein for any purpose.

ITEM	QTY	PART NUMBER	DESCRIPTION
1	1	U26	74LS104
2	1	U27	74LS104
3	1	U28	74LS104
4	1	U29	74LS104
5	1	U30	74LS104
6	1	U31	74LS104
7	1	U32	74LS104
8	1	U33	74LS104
9	1	U34	74LS104
10	1	U35	74LS104
11	1	U36	74LS104
12	1	U37	74LS104
13	1	U38	74LS104
14	1	U39	74LS104
15	1	U40	74LS104
16	1	U41	74LS104
17	1	U42	74LS104
18	1	U43	74LS104
19	1	U44	74LS104
20	1	U45	74LS104
21	1	U46	74LS104
22	1	U47	74LS104
23	1	U48	74LS104
24	1	U49	74LS104
25	1	U50	74LS104
26	1	U51	74LS104
27	1	U52	74LS104
28	1	U53	74LS104
29	1	U54	74LS104
30	1	U55	74LS104
31	1	U56	74LS104
32	1	U57	74LS104
33	1	U58	74LS104
34	1	U59	74LS104
35	1	U60	74LS104
36	1	U61	74LS104
37	1	U62	74LS104
38	1	U63	74LS104
39	1	U64	74LS104
40	1	U65	74LS104
41	1	U66	74LS104
42	1	U67	74LS104
43	1	U68	74LS104
44	1	U69	74LS104
45	1	U70	74LS104
46	1	U71	74LS104
47	1	U72	74LS104
48	1	U73	74LS104
49	1	U74	74LS104
50	1	U75	74LS104
51	1	U76	74LS104
52	1	U77	74LS104
53	1	U78	74LS104
54	1	U79	74LS104
55	1	U80	74LS104
56	1	U81	74LS104
57	1	U82	74LS104
58	1	U83	74LS104
59	1	U84	74LS104
60	1	U85	74LS104
61	1	U86	74LS104
62	1	U87	74LS104
63	1	U88	74LS104
64	1	U89	74LS104
65	1	U90	74LS104
66	1	U91	74LS104
67	1	U92	74LS104
68	1	U93	74LS104
69	1	U94	74LS104
70	1	U95	74LS104
71	1	U96	74LS104
72	1	U97	74LS104
73	1	U98	74LS104
74	1	U99	74LS104
75	1	U100	74LS104

Apple Computer Inc.
 SCHEMATIC
 ANALOG BOARD
 OSO-5005-H
 SHEET 1 OF 1