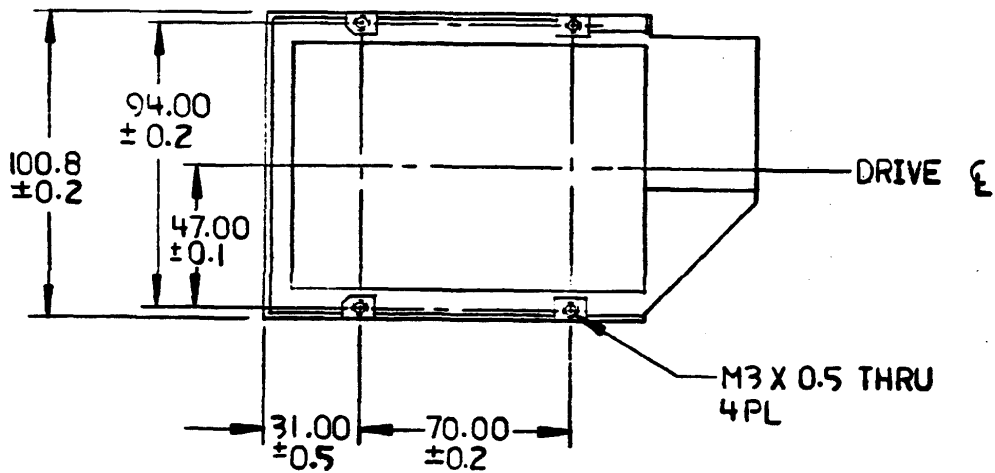


RIGHT SIDE VIEW



BOTTOM VIEW

Figure 2.2 Mounting Hole Dimensions

 apple computer inc.

SIZE
A

DRAWING NUMBER
699-0285-A

SCALE:

SHEET 7 OF 39