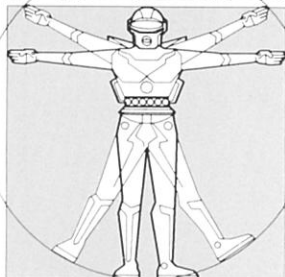


ROBO

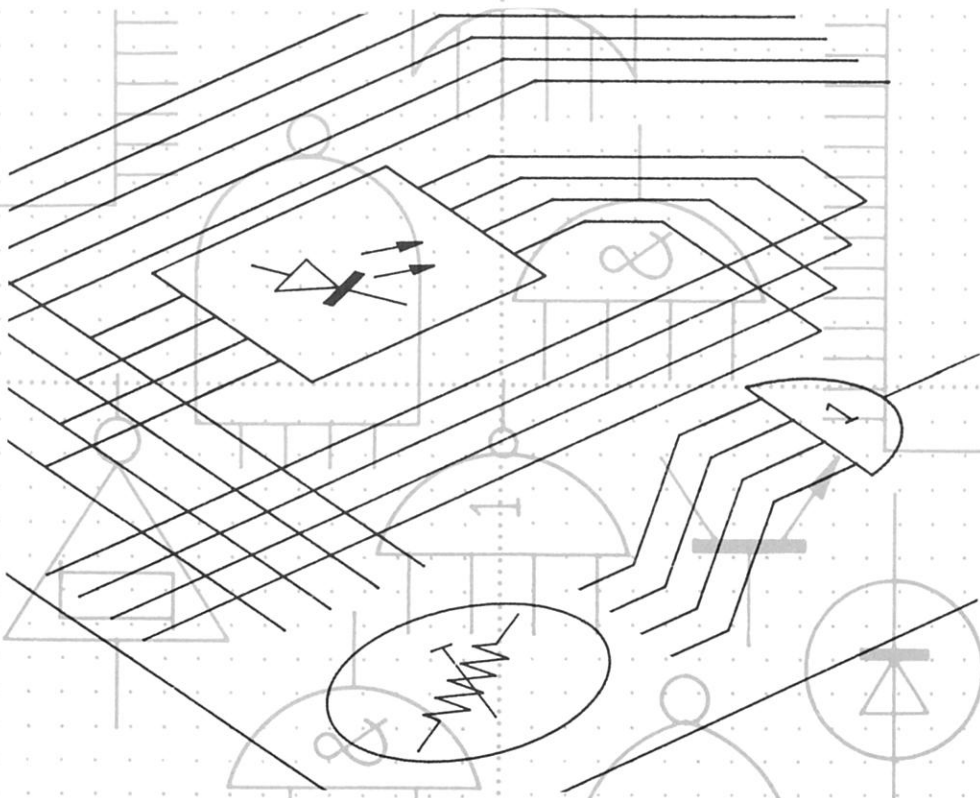


GRAPHICS

A GUIDE TO LIBRARY DISK # 227
FOR USE WITH THE ROBOGRAPHICS SYSTEM

DIGITAL ELECTRONICS SYMBOLS

To BS3939 & others



DIGITAL ELECTRONICS SYMBOLS

To BS3939 and others

This disk includes all the symbols commonly used for Digital electronic diagrams as well as Logic symbols to BS3939 and other useful items. All the symbols can be rapidly assembled into diagrams on the locked grid of the ROBOGRAPHICS System.

The symbols can be positioned at a range of sizes and orientations and easily connected as all the connections fall on lock points.

Text and labels can be added at any stage including individual I.C. blocks etc which can then be used repeatedly. You can modify the symbols or draw your own easily as well as combining the symbols into circuit modules which again can be saved and used repeatedly.

The symbols are compatible with others in the ROBOGRAPHICS range including Analogue Electronics, Fluid Power and Chemical Engineering so facilitating the production of multi-system diagrams.

OP AMP	OP AMP	STROBED 3 STATE GATE	INVERTER	SCHMITT TRIGGER INVERTER	NEON INVERTING BUFFER	CHASSIS	EARTH
2 INPUT NAND	3 INPUT NAND	4 INPUT NAND	2 INPUT NAND WITH SCHMITT TRIGGER	CAPACITOR	CAPACITOR	CAPACITOR	TRIMMER
2 INPUT AND	3 INPUT AND	4 INPUT AND	6 PIN IC	6 PIN IC	6 PIN IC	RESISTOR	PRESET RESISTOR
2 INPUT NOR	3 INPUT NOR	4 INPUT NOR	8 PIN IC	8 PIN IC	8 PIN IC	VARIABLE RESISTOR	VARIABLE VOLTAGE DIVIDER
2 INPUT OR	3 INPUT OR	4 INPUT OR	14 PIN IC	14 PIN IC	14 PIN IC	FIXED VOLTAGE DIVIDER	RESISTOR
2 INPUT EOR	2 INPUT ENOR	CRYSTAL	16 PIN IC	16 PIN IC	16 PIN IC	PRESET RESISTOR	VARIABLE RESISTOR
INDICATOR LAMP	DIODE	DIODE	18 PIN IC	18 PIN IC	18 PIN IC	VARIABLE VOLTAGE DIVIDER	FIXED VOLTAGE DIVIDER
TERMINAL	DIODE	LED	ZENER DIODE	PLUG	SOCKET	INDIVIDUAL CELL	BATTERY

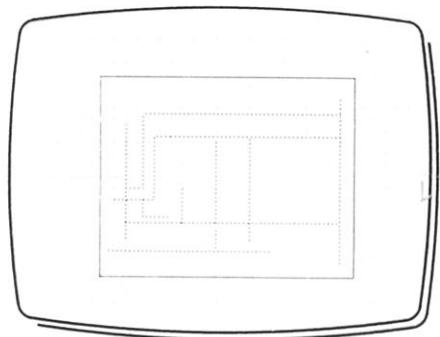
INDEX A

PNP TRANSISTOR	NPN TRANSISTOR	PNP TRANSISTOR	NPN TRANSISTOR
24 PIN IC	24 PIN IC	24 PIN IC	LIGHT SENSITIVE TRANSISTOR
28 PIN IC	28 PIN IC	28 PIN IC	
40 PIN IC	40 PIN IC	40 PIN IC	

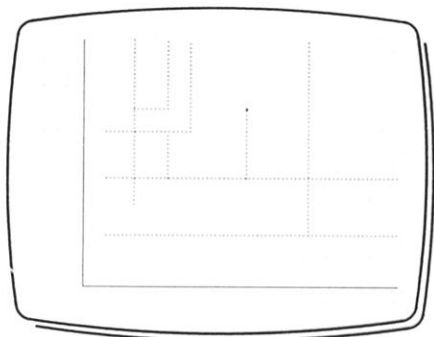
INDEX B

2 INPUT AND	3 INPUT AND	4 INPUT AND	AND SYMBOL
2 INPUT NAND	3 INPUT NAND	4 INPUT NAND	NOT SYMBOL
2 INPUT OR	3 INPUT OR	4 INPUT OR	BASIC GATE SYMBOL
2 INPUT NOR	3 INPUT NOR	4 INPUT NOR	NEGATED GATE

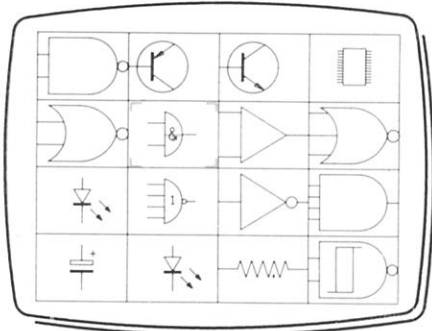
INDEX C



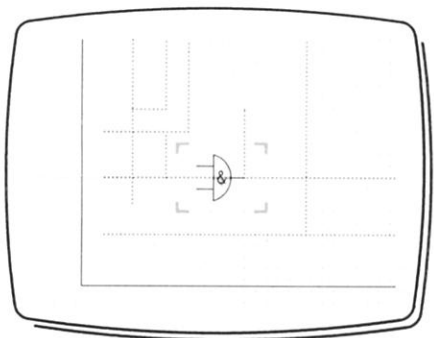
LAY-OUT THE DIAGRAM



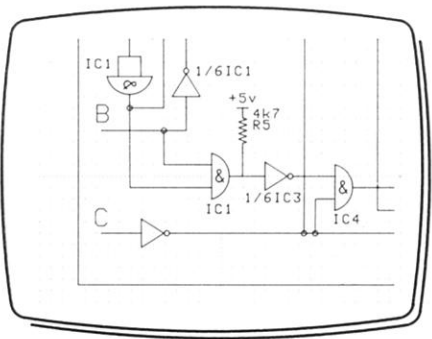
ZOOM IN TO MAGNIFY



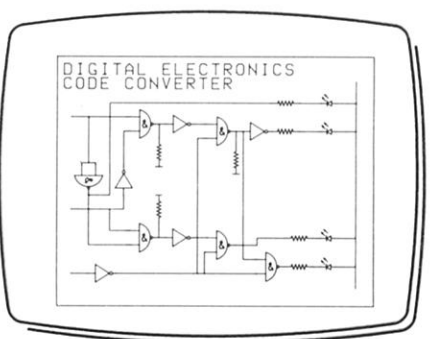
COPY FROM THE LIBRARY



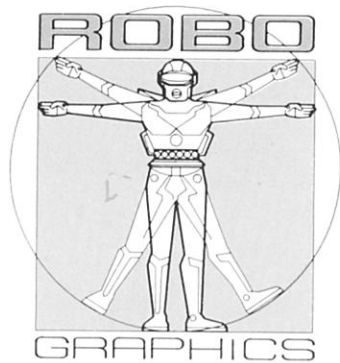
PLACE SYMBOLS ON LAYOUT



ADD CONNECTIONS AND TEXT



FINISHED AND READY TO PLOT



ROBOCOM LTD., CIL BUILDING, GOODWIN STREET, LONDON N4 3HQ
TELEPHONE 01-263 3388 or 01-263 8585