

United States Patent [19]

Manock et al.

[11] Patent Number: **Des. 284,284**

[45] Date of Patent: **** Jun. 17, 1986**

[54] **HOUSING FOR MOVABLE CURSOR CONTROL FOR A VIDEO DISPLAY**

[75] Inventors: **Jerrold C. Manock**, Palo Alto; **Terrell A. Oyama**, Los Altos; **James R. Yurchenco**, Palo Alto, all of Calif.

[73] Assignee: **Apple Computer, Inc.**, Cupertino, Calif.

[**] Term: **14 Years**

[21] Appl. No.: **541,713**

[22] Filed: **Oct. 13, 1983**

[52] U.S. Cl. **D14/114; D13/38**

[58] Field of Search **D14/100-117; 340/365 R, 706, 709, 710, 711; D13/32, 38; 273/148 B; 33/1 M; 178/18, 19**

[56] **References Cited**

U.S. PATENT DOCUMENTS

4,064,560 12/1977 Baxter 340/365 R X

4,464,652 8/1984 Lapson et al. 340/709 X

OTHER PUBLICATIONS

Evans Gift Catalog, 1978, p. 246-X, Coleco Telstar Regent TM Game, Remote Control.

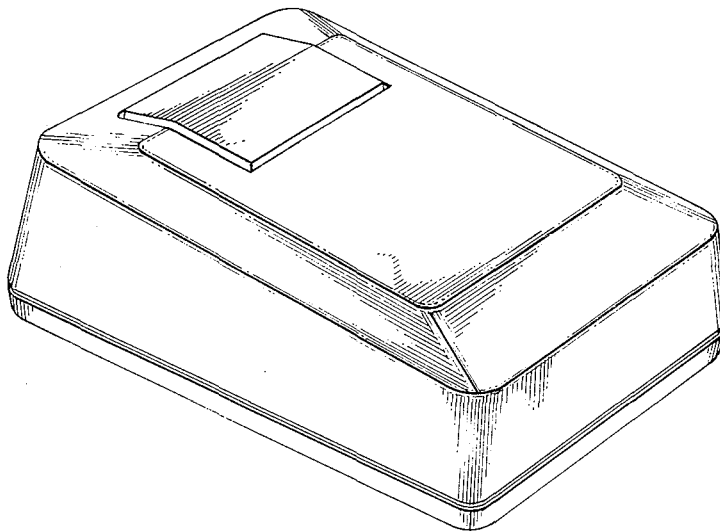
Primary Examiner—Susan J. Lucas
Attorney, Agent, or Firm—Blakely, Sokoloff, Taylor & Zafman

[57] **CLAIM**

The ornamental design for a housing for movable cursor control for a video display, substantially as shown.

DESCRIPTION

FIG. 1 is a perspective view of a housing for a video display showing our new design;
FIG. 2 is a top plan view thereof;
FIG. 3 is a right side elevational view thereof;
FIG. 4 is a front elevational view thereof;
FIG. 5 is a rear elevational view thereof;
FIG. 6 is a bottom plan view thereof.



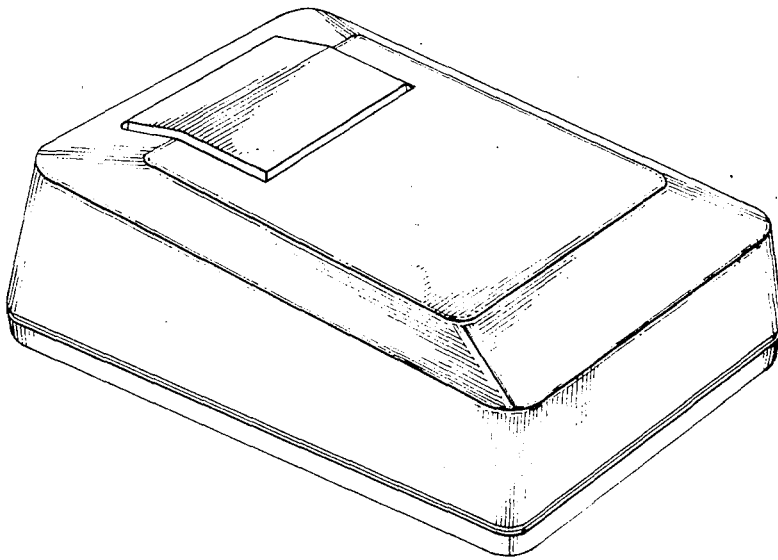


Fig. 1

Fig. 2

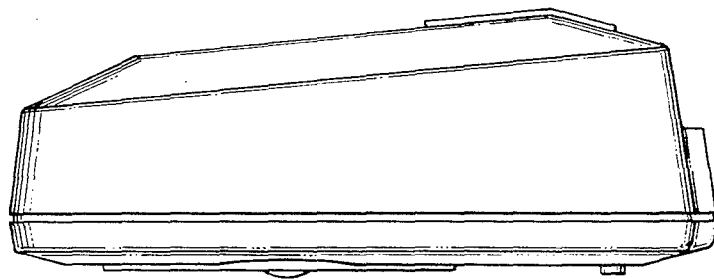
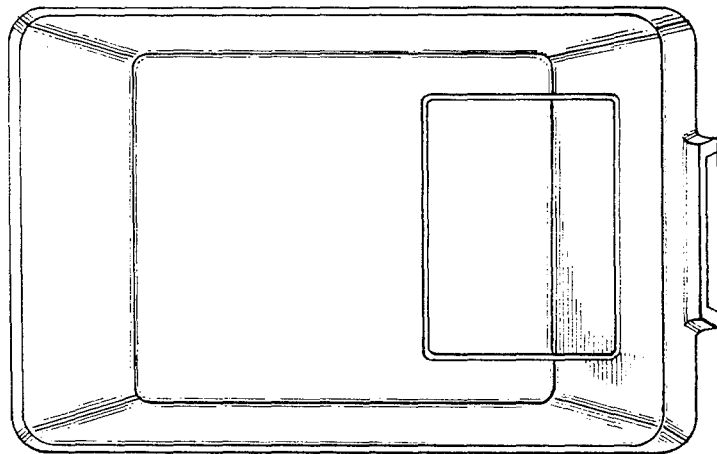


Fig. 3

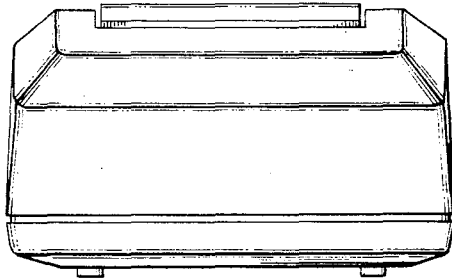


Fig. 4

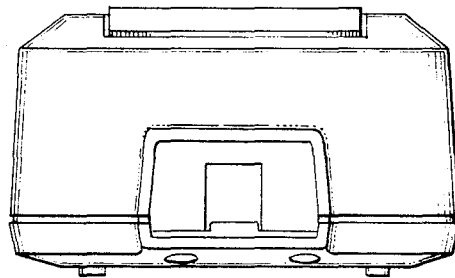


Fig. 5

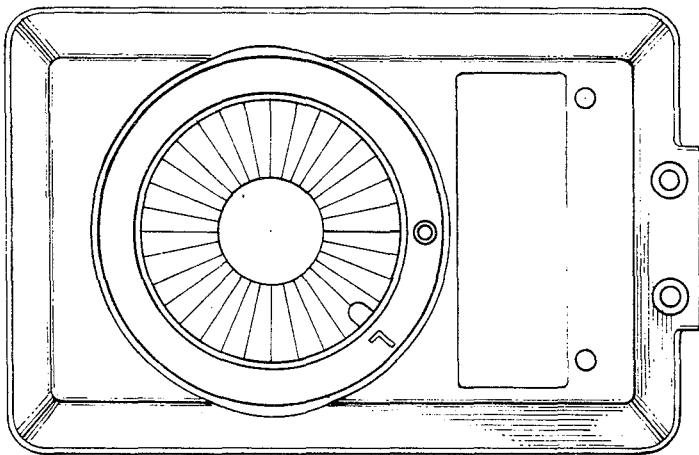


Fig. 6