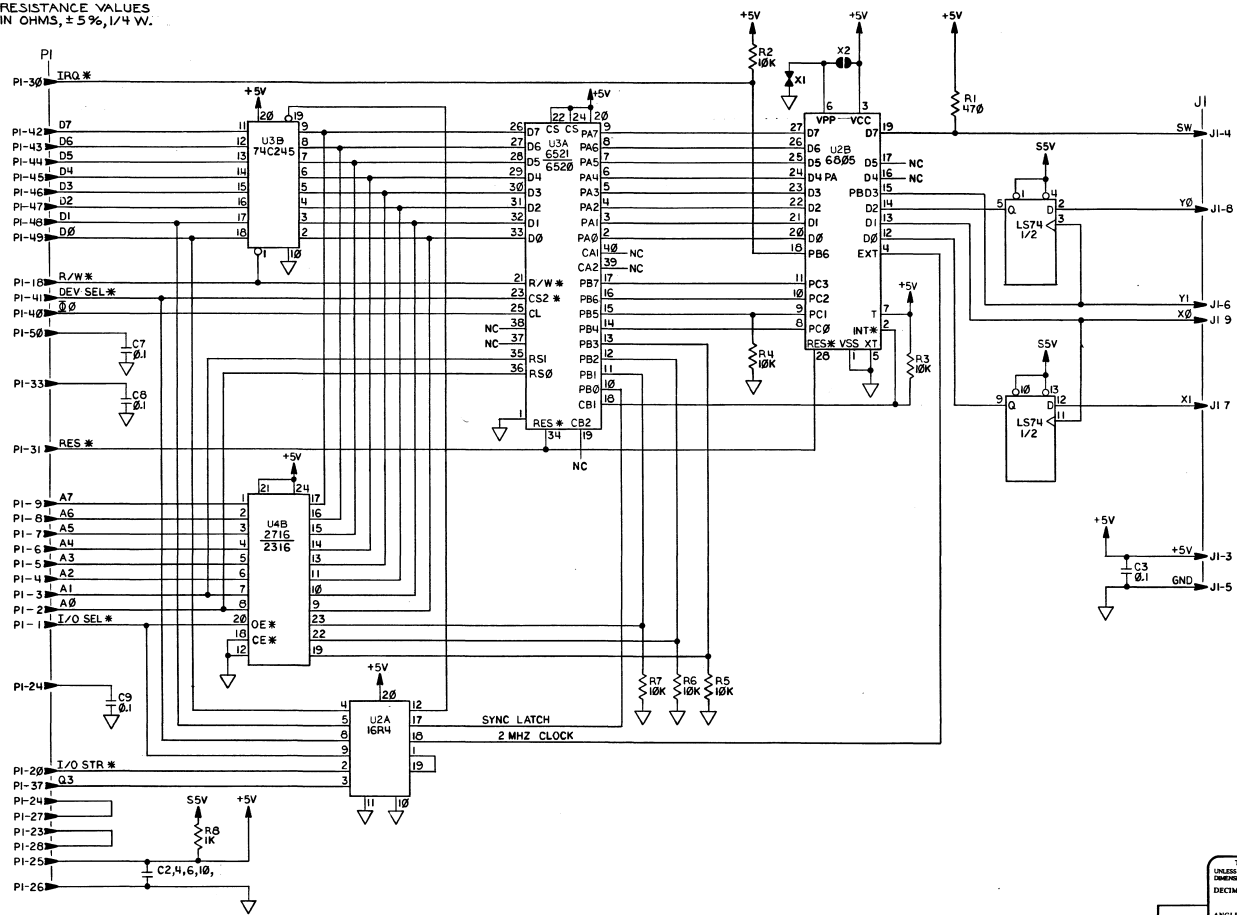


NOTE: UNLESS OTHERWISE SPECIFIED

1. ALL CAPACITANCE VALUES ARE IN MICROFARADS.
2. ALL RESISTANCE VALUES ARE IN OHMS, $\pm 5\%$, 1/4 W.

REV	ZONE	ECO #	REVISION	APPD
A		A933	INITIAL RELEASE	



THIRD ANGLE PROJECTION
DO NOT SCALE DRAWING

ITEM	QTY	PART NUMBER	DESCRIPTION
TOLERANCES UNLESS OTHERWISE SPECIFIED DIMENSIONS ARE IN INCHES DECIMALS .XX FRACTIONS XX/XX ANGLES XX.X DIMENSIONS IN PARENTHESES ARE IN MILLIMETERS MATERIAL: _____ FINISH: _____			
DRAWN BY S. Smith		DATE 11-83	apple computer inc. TITLE SCHEMATIC A // MOUSE BOARD DRAWING NUMBER 050-0101-A SCALE _____ SHEET 1 OF 1
CHECKED BY Dave Smith		DATE 11/83	
APPROVED BY Chris Brown		DATE 11/83	

1 of 1 - V-100-050
REVISION ONLY