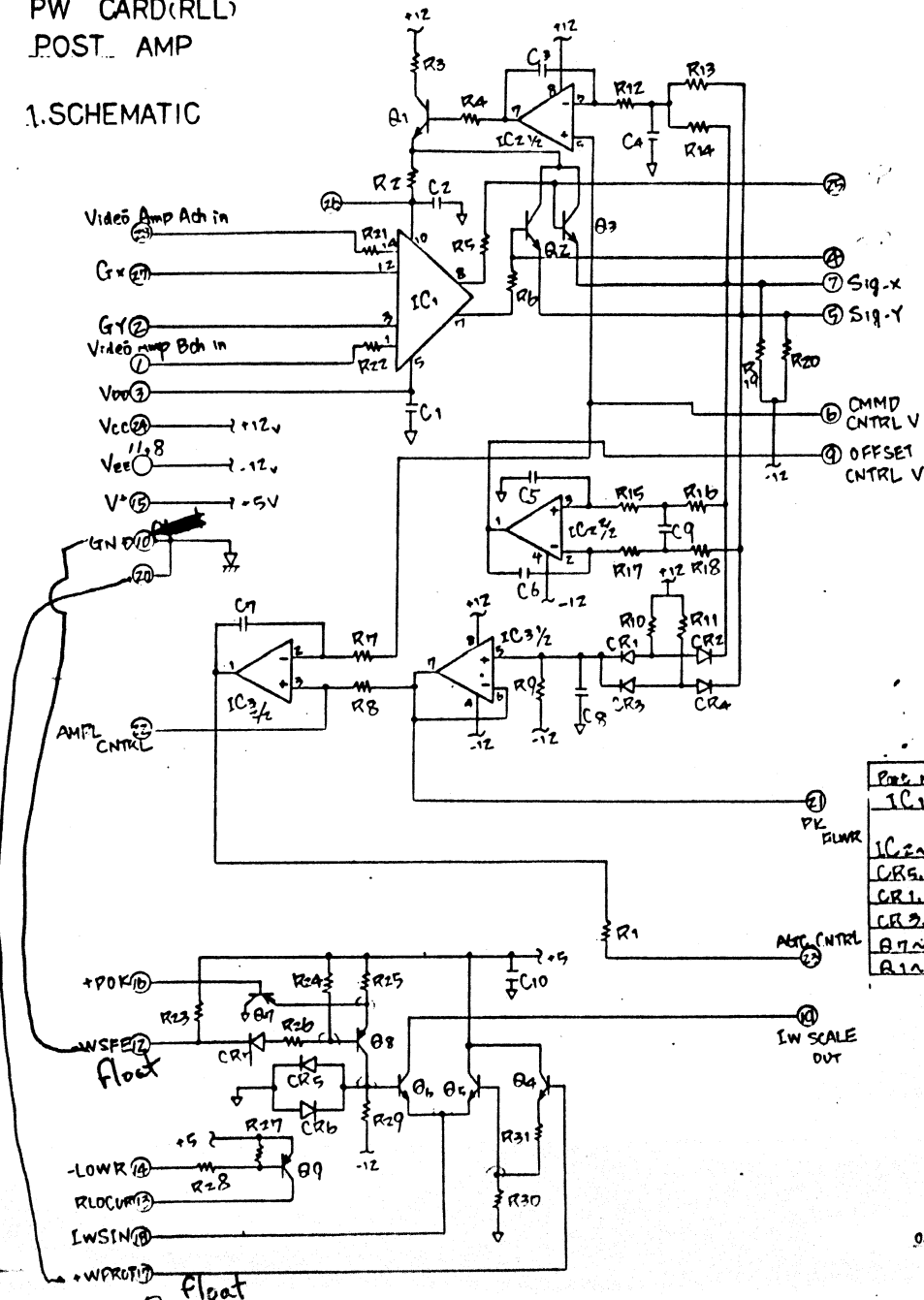


PW CARD(RLL)  
POST AMP

1. SCHEMATIC



2. ELEMENT RATINGS

RNO	Resistance	Tolerance	Power	RNO	Resistance	Tolerance	Power
R1	100 kΩ	±5%	1/8W	R17	10 kΩ	±5%	1/8W
R2	39 Ω	±10%	1/4W	R18	10 kΩ		
R3	39 Ω			R19	3.9 kΩ		
R4	1 kΩ	±5%	1/8W	R20	3.9 kΩ		
R5	100 Ω			R21	680 Ω		
R6	100 Ω			R22	680 Ω		
R7	10 kΩ			R23	3.9 kΩ		
R8	10 kΩ	±1%		R24	3.9 kΩ		
R9	390 kΩ	±5%		R25	1 kΩ		
R10	3 kΩ			R26	1 Ω		
R11	3 kΩ			R27	1 kΩ		
R12	10 kΩ			R28	3.9 kΩ		
R13	10 kΩ			R29	12 Ω		
R14	10 kΩ			R30	1 Ω		
R15	10 kΩ			R31	1 kΩ		
R16	10 kΩ						

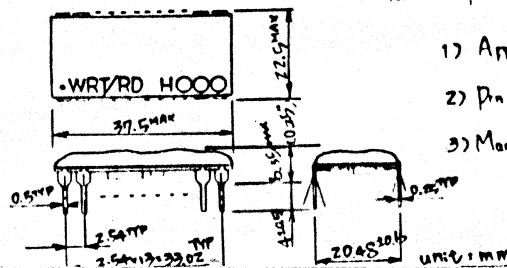
Note: All of T.C.R is 200 ppm/°C

Part No	Specification
IC1	NE502D or SE502D
IC2,3	N7455B or AN6525
CR5,6,7	1SS193 or 1S2181 or 1S2836
CR1,2	MA151WA or 1S2181 or 1S2836
CR3,4	MA151WA or 1SS181 or 1S2836
BT,9	2SA812 or 2SA112 or 2SA112 ex.k
R1,6	ZSC1BZ3 or 5.1k or ZSC2120.7k

Part No	Specification
C1,10	0.1μF ±5V F (±20%)
C2	0.01μF ±5V B (±15%)
C3	0.022μF ±5V B (±15%)
C4	470PF ±25V CH (±50 ppm/°C)
C5,6,7	0.01μF ±5V B (±15%)
C8	330PF ±25V CH (±50 ppm/°C)
C9	100PF ±25V CH (±50 ppm/°C)

3. CONFIGURATION & DIMENSIONS

form: 28pin DIP



- 1) Apple Part Number : WRT/RD
- 2) Pin Number's Designation :
- 3) Manufacturer's name and Date code : HQ 00 year week

APPLE COMPUTER INC. POST AMP

HBC