



Apple Manuals



Apple ][ Pascal



Macintosh

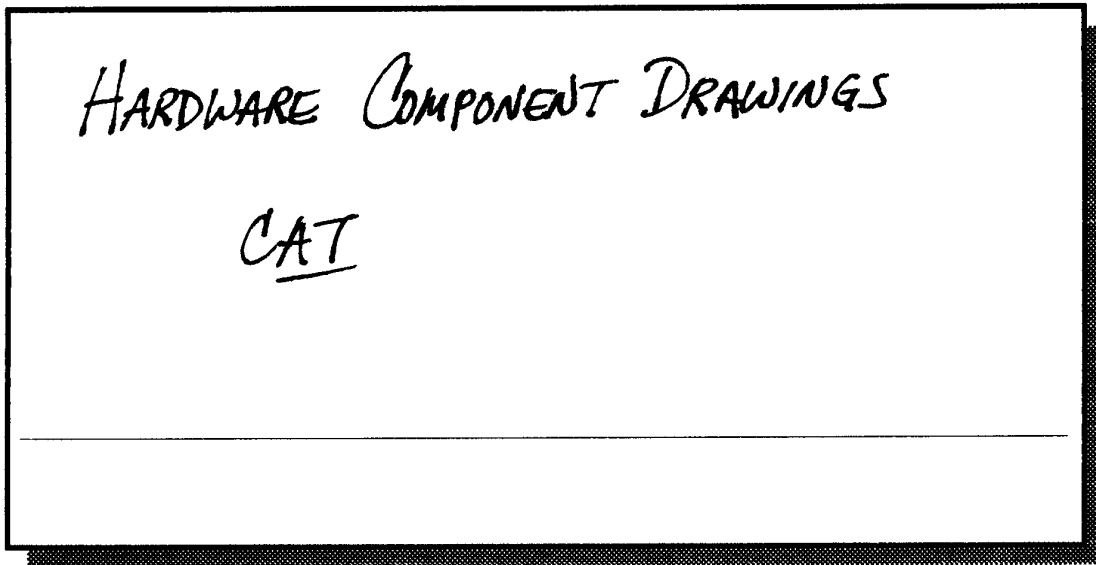


SwyftCard



Canon Cat

# Jef Raskin Information



DOCUMENT NO. *42*

COMPILED BY  
 DAVID T. CRAIG  
 736 EDGEWATER, WICHITA, KS 67230 USA  
 E-MAIL: 71533.606@compuserve.com



Apple Manuals



Apple ][ Pascal



Macintosh



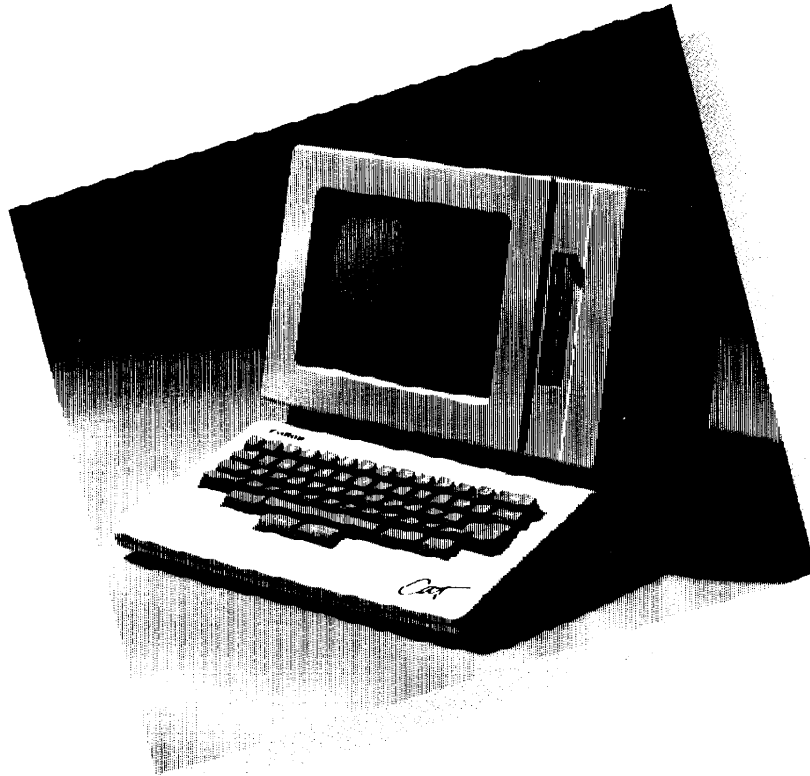
SwyftCard



Canon Cat

Canon Cat Computer Technical Information

# CANON CAT HARDWARE COMPONENT DRAWINGS



**Canon** *Cat*  
The Advanced WORK Processor

1-2. Overview

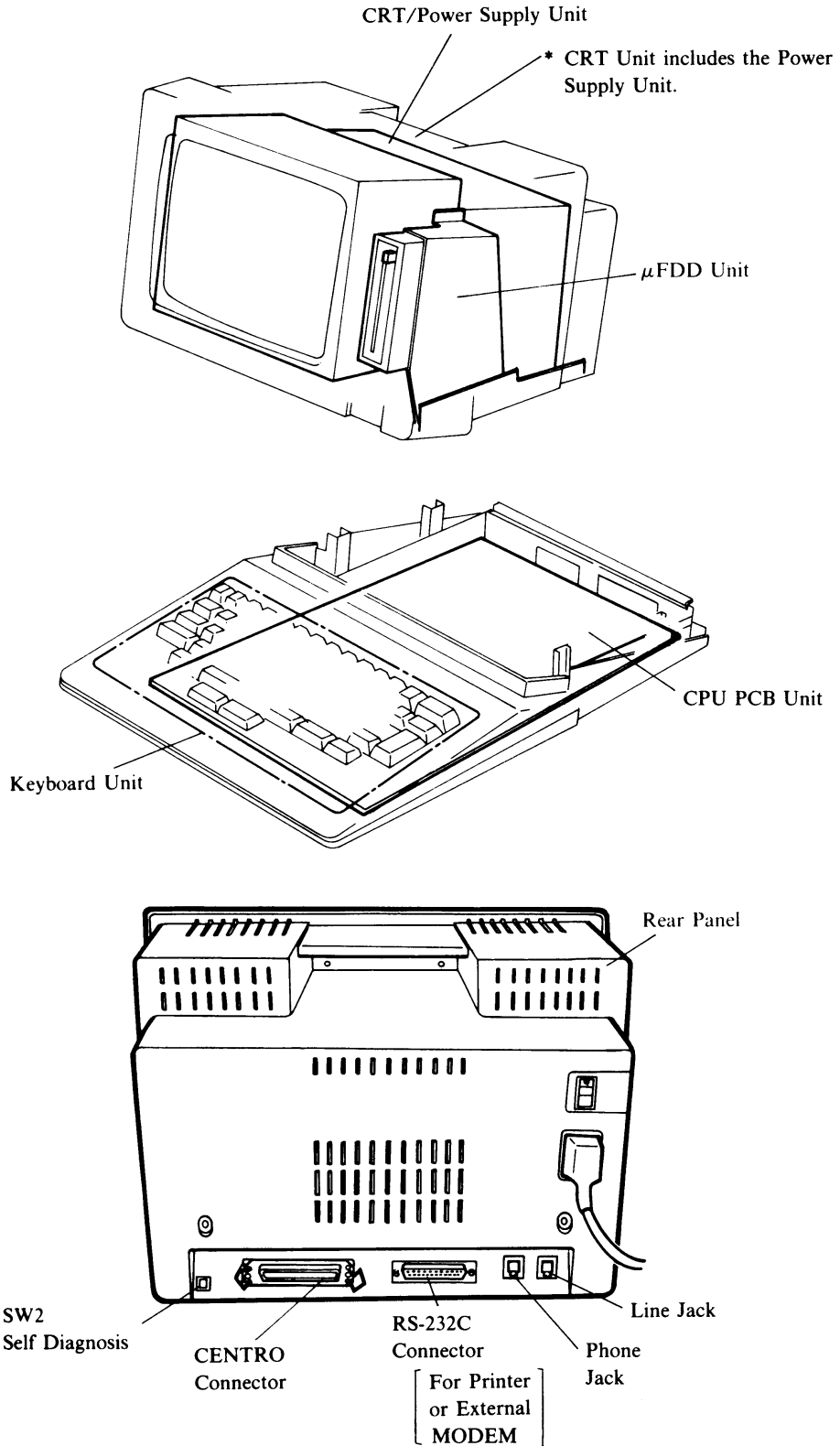


Fig. 1-1

### 3-1. $\mu$ FDD Unit

(2) Disassembly · reassembly

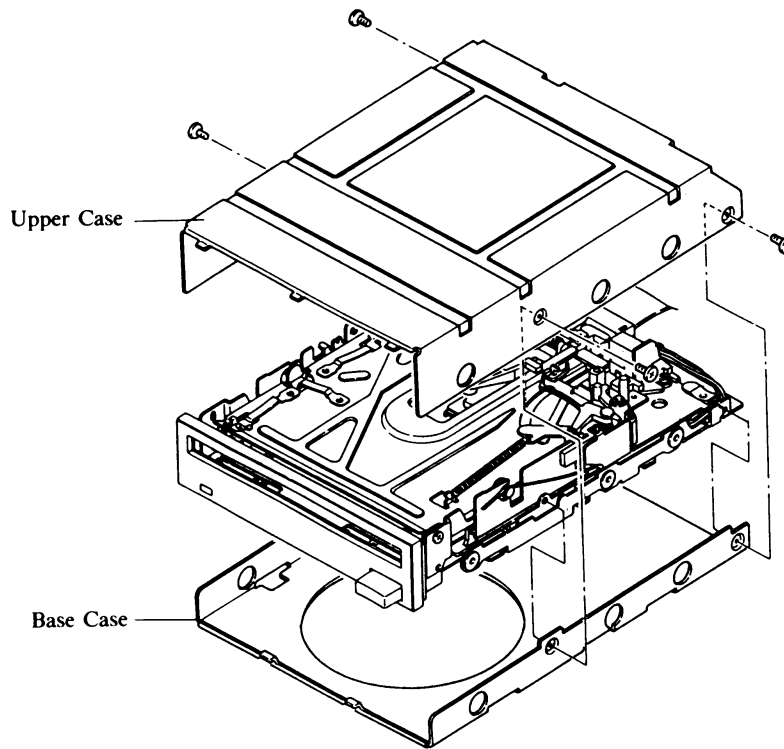


Fig.3-2

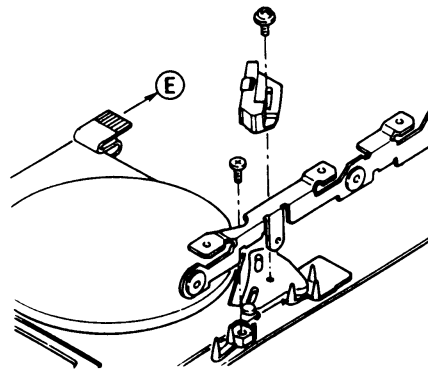


Fig.3-3

3-1.  $\mu$ FDD Unit

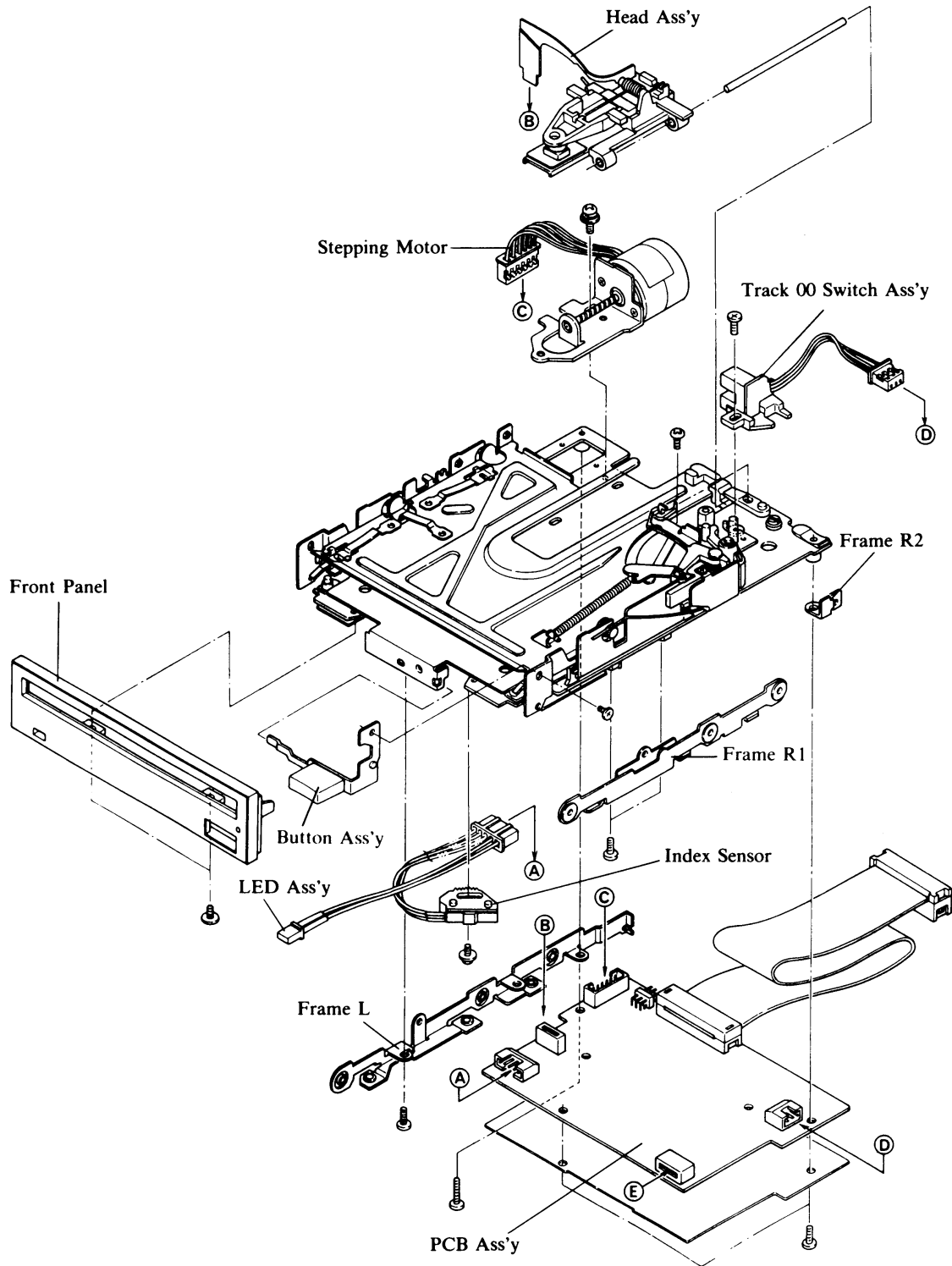


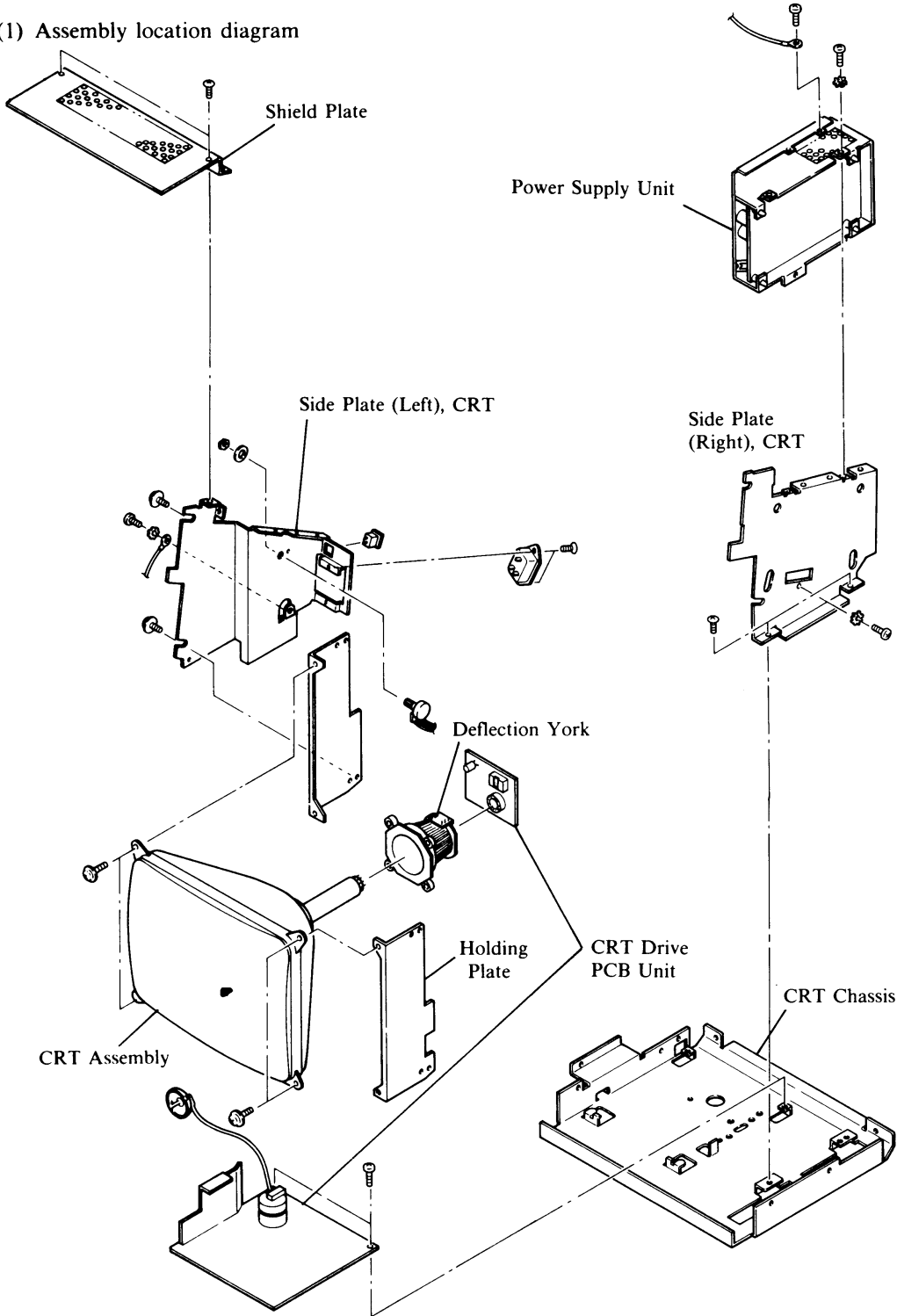
Fig.3-4

### 3-2. CRT/Power Supply Unit (MATSUSHITA)

#### 1. Disassembly · Reassembly

**Warning:** Before disassembly, discharge the High Voltage throughly with the procedures of (2) Before repairing on page 3-18.

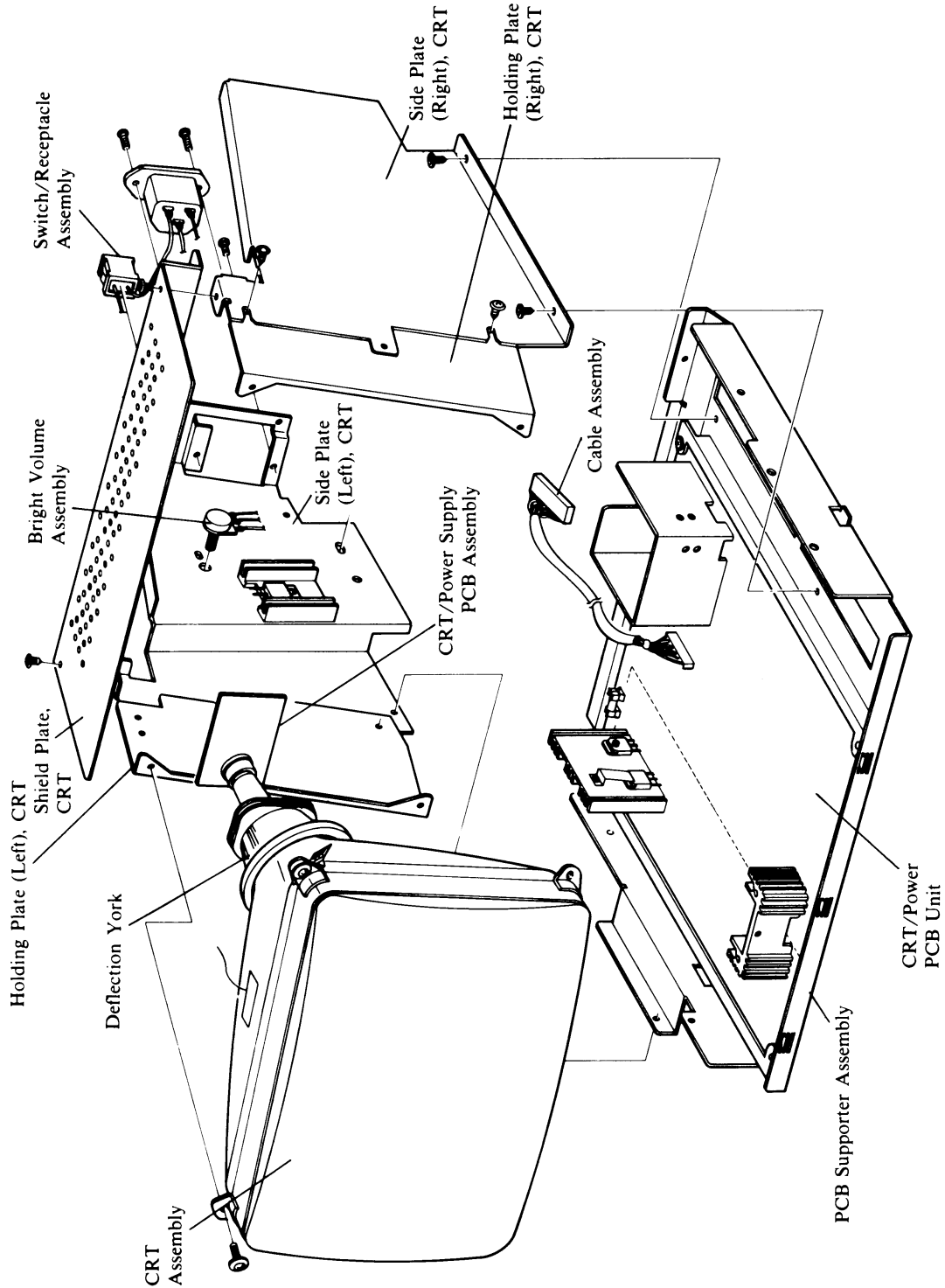
(1) Assembly location diagram



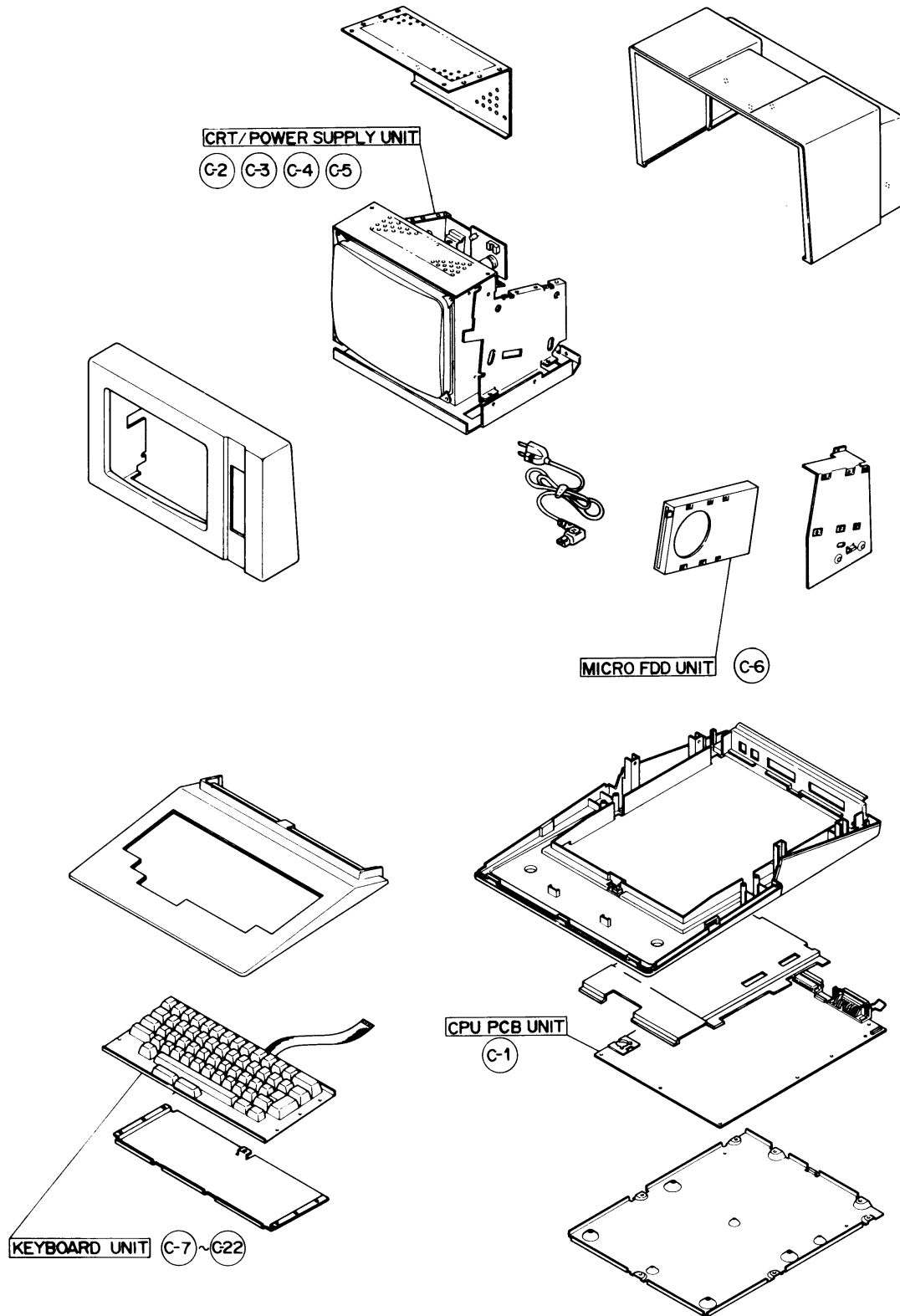
### 3-3. CRT/Power Supply Unit (GOLD STAR)

#### 1. Disassembly · Reassembly

Warning: Before disassembly and discharge the High Voltage throughly with the procedures on page 3-18.



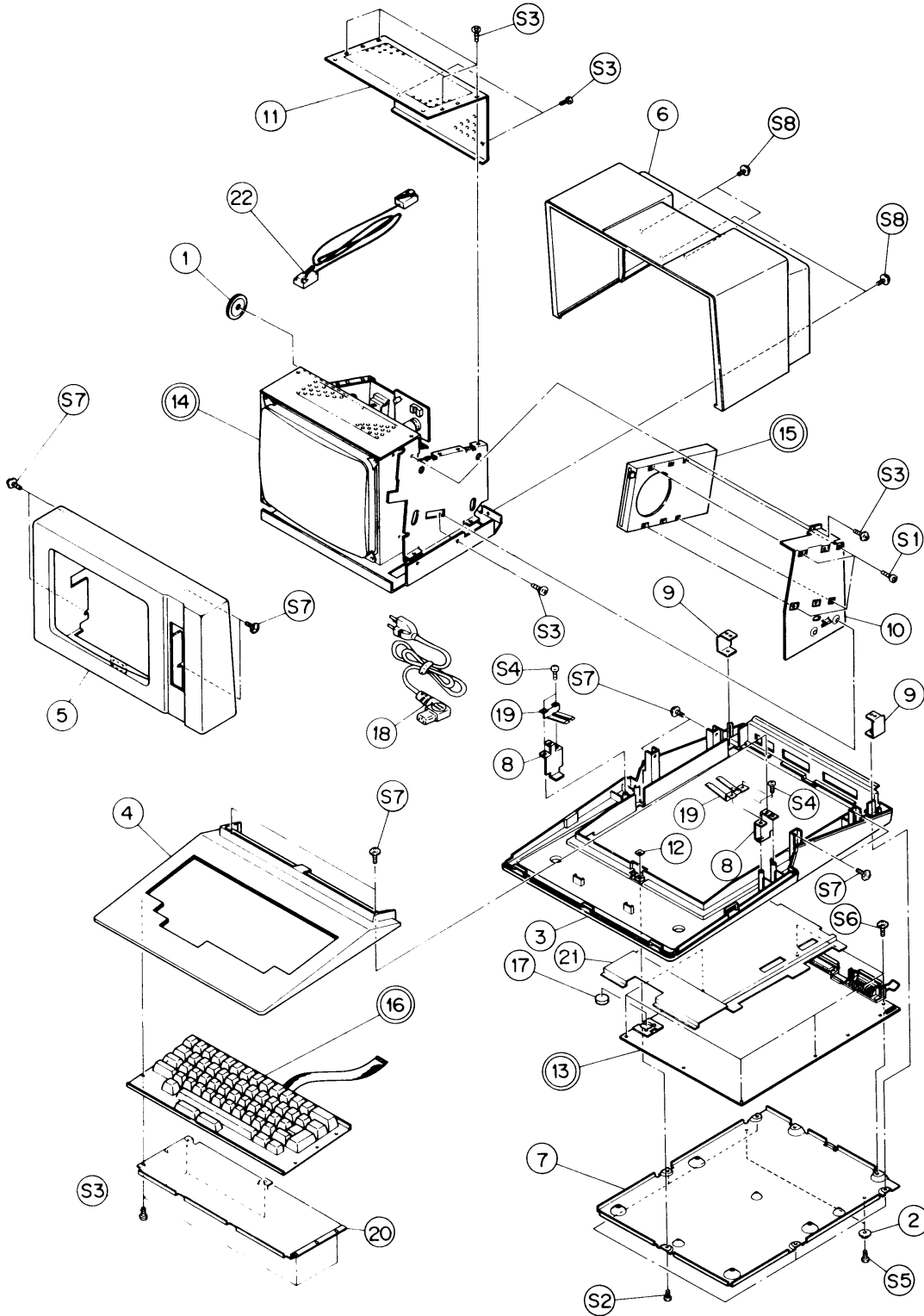
### A. ASSEMBLY LOCATION DIAGRAM



A-1

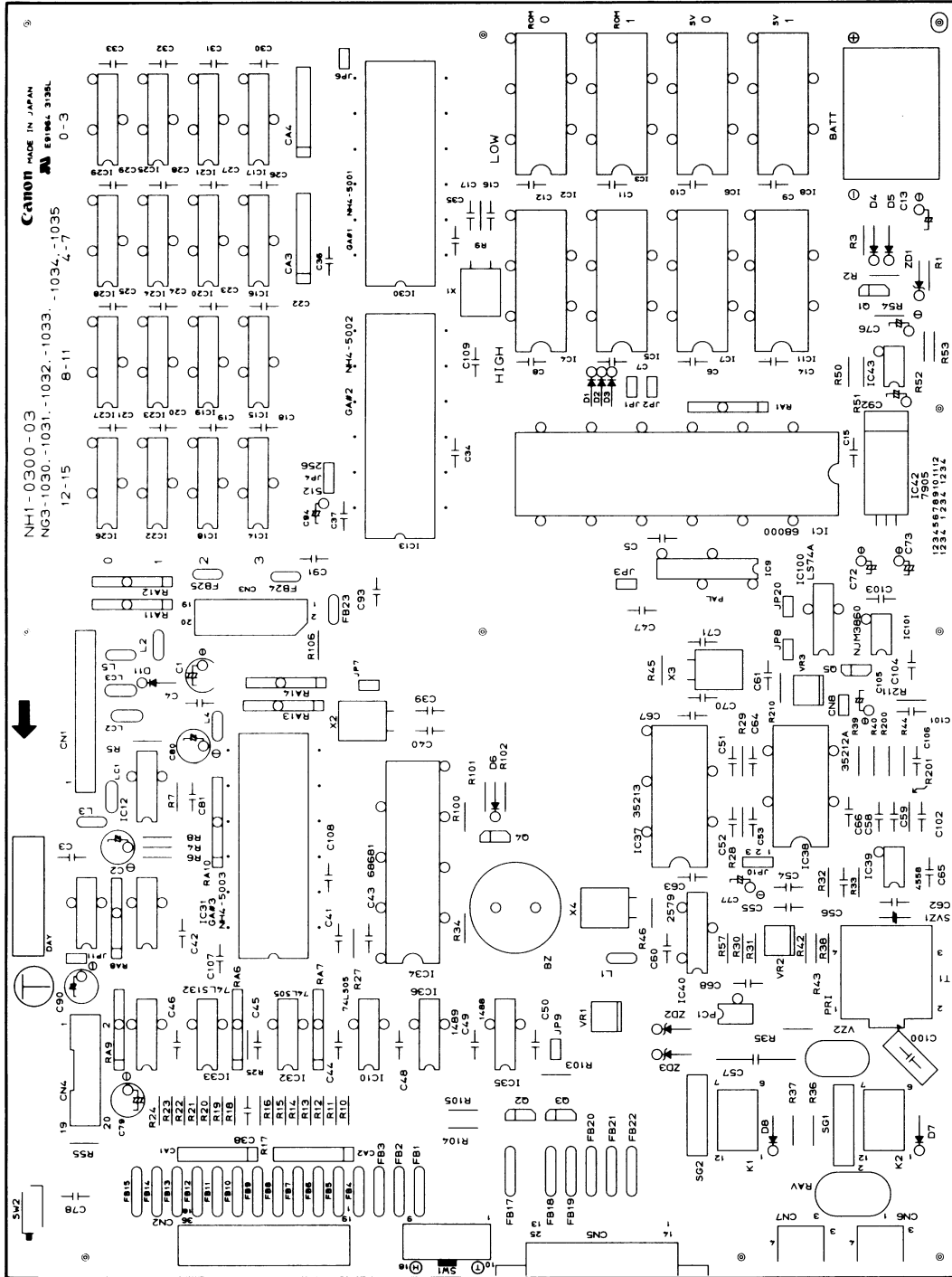


**B. ASSEMBLIES**



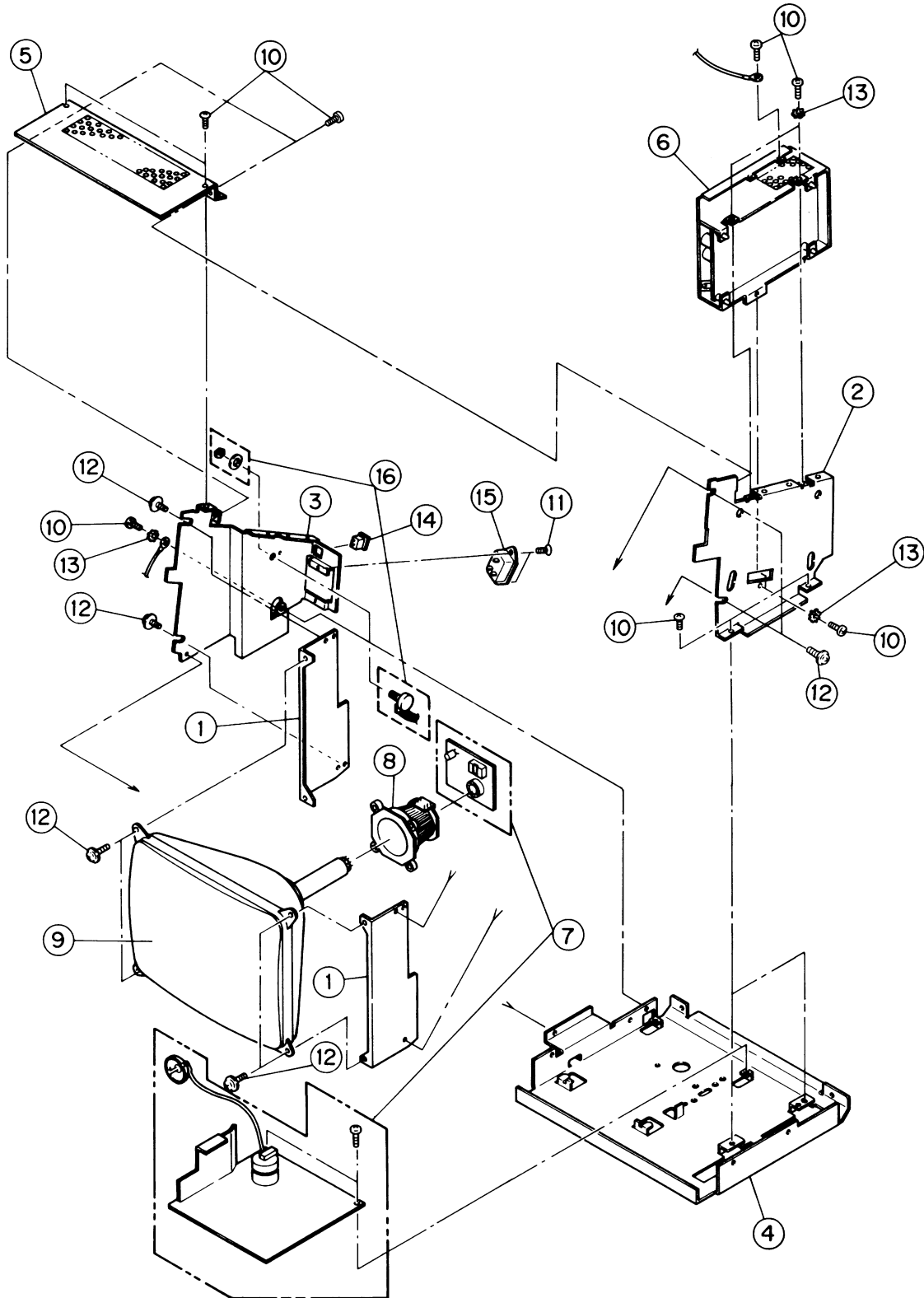
B-1

C-1. CPU PCB UNIT



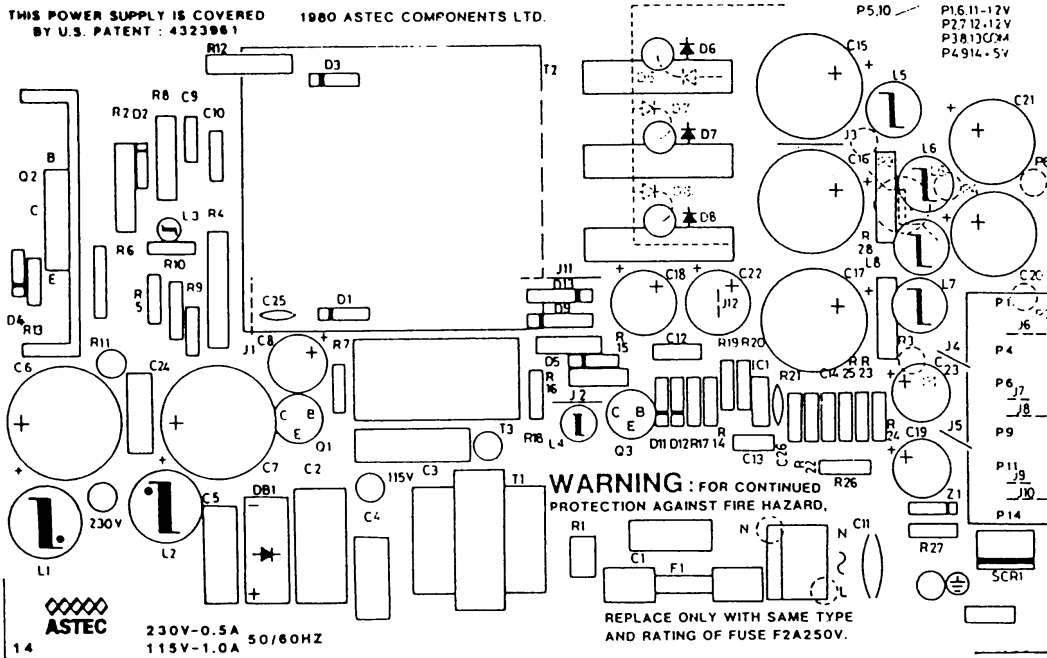
C-1

**C-2. CRT/POWER SUPPLY UNIT (MATSUSHITA)**



C-7

**C-3. POWER SUPPLY UNIT**



**C-3. POWER SUPPLY UNIT**

[ COUNTRY CODE AS SHOWN BELOW ]

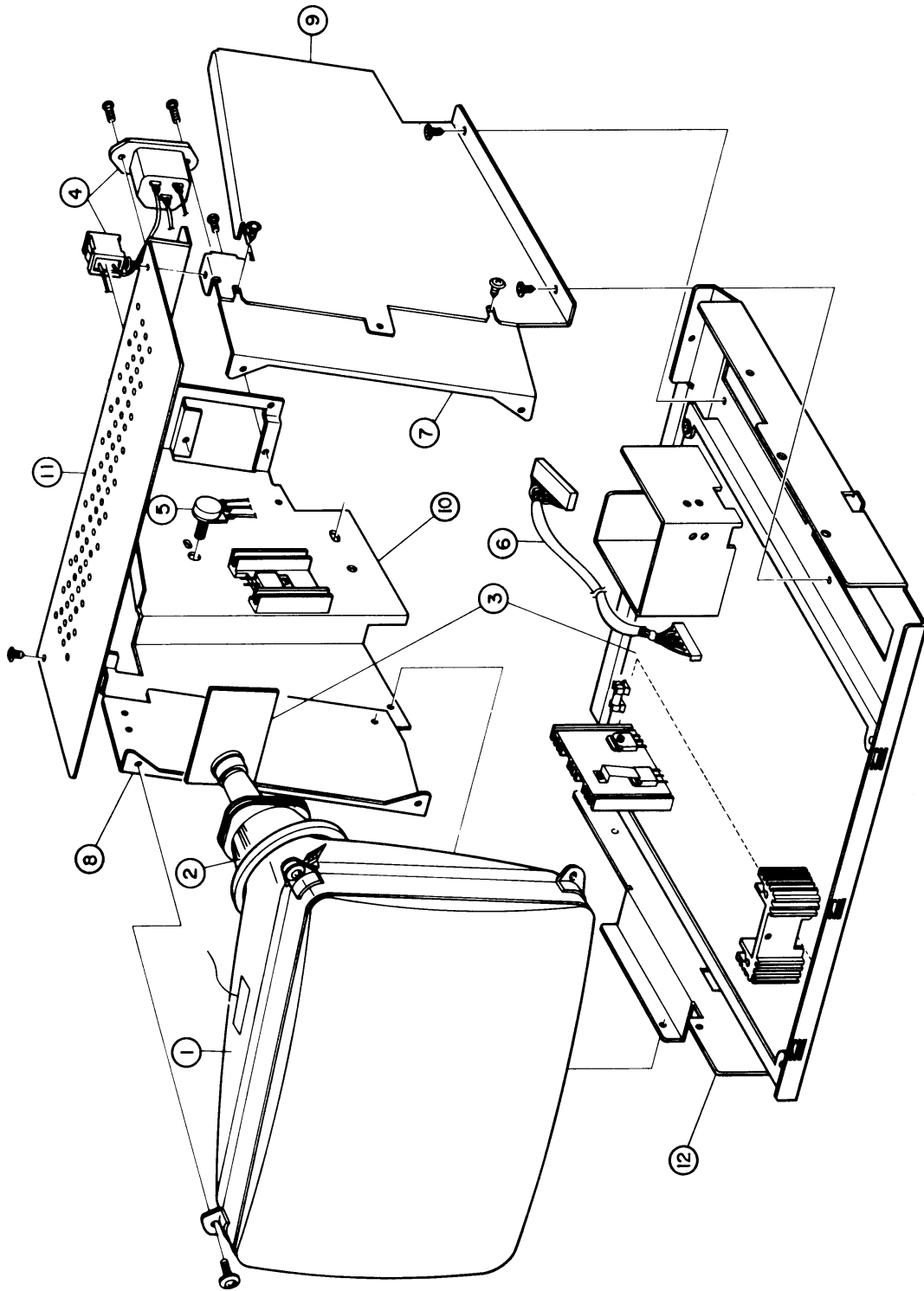
COUNTRY CODE:

- A: USA/CANADA    E: LATIN(115V)    I: SWEDEN/FINLAND    M: FRANCE    Q: S.AFRICA
- B: ASIA    F: LATIN(230V)    J: NETHERLAND    N: U.K.    R: JAPAN
- C: OCEANIA    G: NORWAY    K: W.GERMANY    O: SPAIN
- D: QUEBEC    H: DENMARK    L: SWITZERLAND    P: ITALY

FIGURE & KEY NO.	PART NUMBER	RANK	Q'TY	DESCRIPTION	REMARKS	COUNTRY CODE ABCDEFGHIJKLMNOPQR.....
C-3 C 1	NY7-6620-000		1	FILM CAP. 0.01UF 250V	*	A.....
C-3 C 2	NY7-6618-000		1	FILM CAP. 0.22UF 250V	*	A.....
C-3 C 3	NY7-6621-000		1	MFR CAP. 4700PF 250V	*	A.....
C-3 C 4	NY7-6611-000		1	CERAMIC CAP. 4700PF 250V	*	A.....
C-3 C 5	NY7-6617-000		1	FILM CAP. 0.22UF 250V	*	A.....
C-3 C 6	NY7-6613-000		1	ALUMINUM CAP. 100UF 250V	*	A.....
C-3 C 7	NY7-6613-000		1	ALUMINUM CAP. 100UF 250V	*	A.....
C-3 C 8	NY7-6615-000		1	ALUMINUM CAP. 220UF 10V	*	A.....
C-3 C 9	NY7-6649-000		1	CERAMIC CAP. 470PF 2KV	*	A.....
C-3 C 11	NY7-6620-000		1	FILM CAP. 0.01UF 250V	*	A.....
C-3 C 12	NY7-6619-000		1	FILM CAP. 0.22UF 100V	*	A.....
C-3 C 13	NY7-6622-000		1	FILM CAP. 0.22UF 100V	*	A.....
C-3 C 14	NY7-6619-000		1	FILM CAP. 0.22UF 100V	*	A.....
C-3 C 15	NY7-6614-000		1	FILM CAP. 1000UF 16V	*	A.....
C-3 C 16	NY7-6614-000		1	FILM CAP. 1000UF 16V	*	A.....
C-3 C 17	NY7-6614-000		1	FILM CAP. 1000UF 16V	*	A.....
C-3 C 18	NY7-6616-000		1	ALUMINUM CAP. 330UF 16V	*	A.....
C-3 C 20	NY7-6648-000		1	ALUMINUM CAP. 470UF 25V	*	A.....
C-3 C 24	NY7-6617-000		1	FILM CAP. 0.22UF 250V	*	A.....

C-9

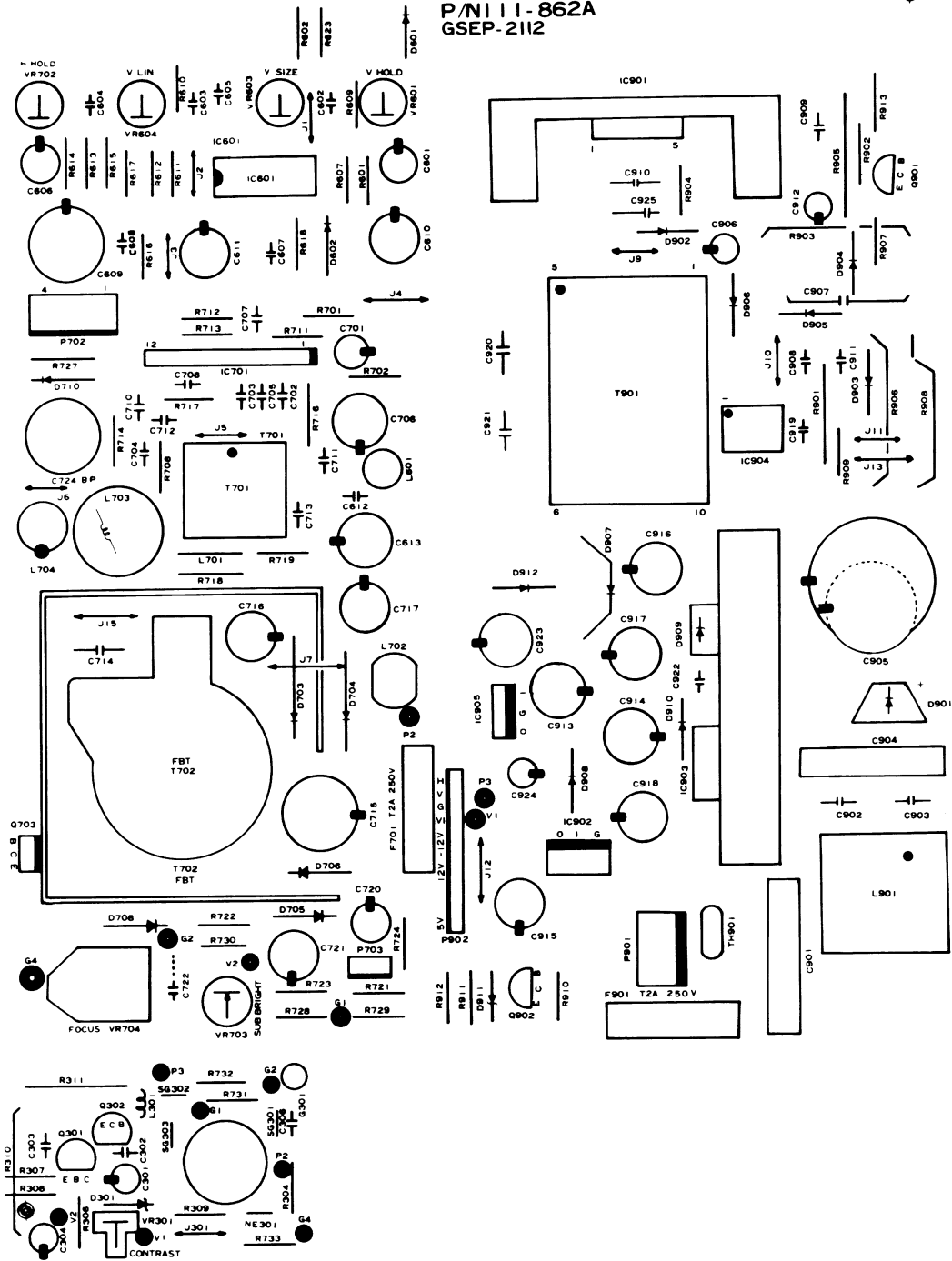
**C-4. CRT/POWER SUPPLY UNIT (GOLDSTAR)**



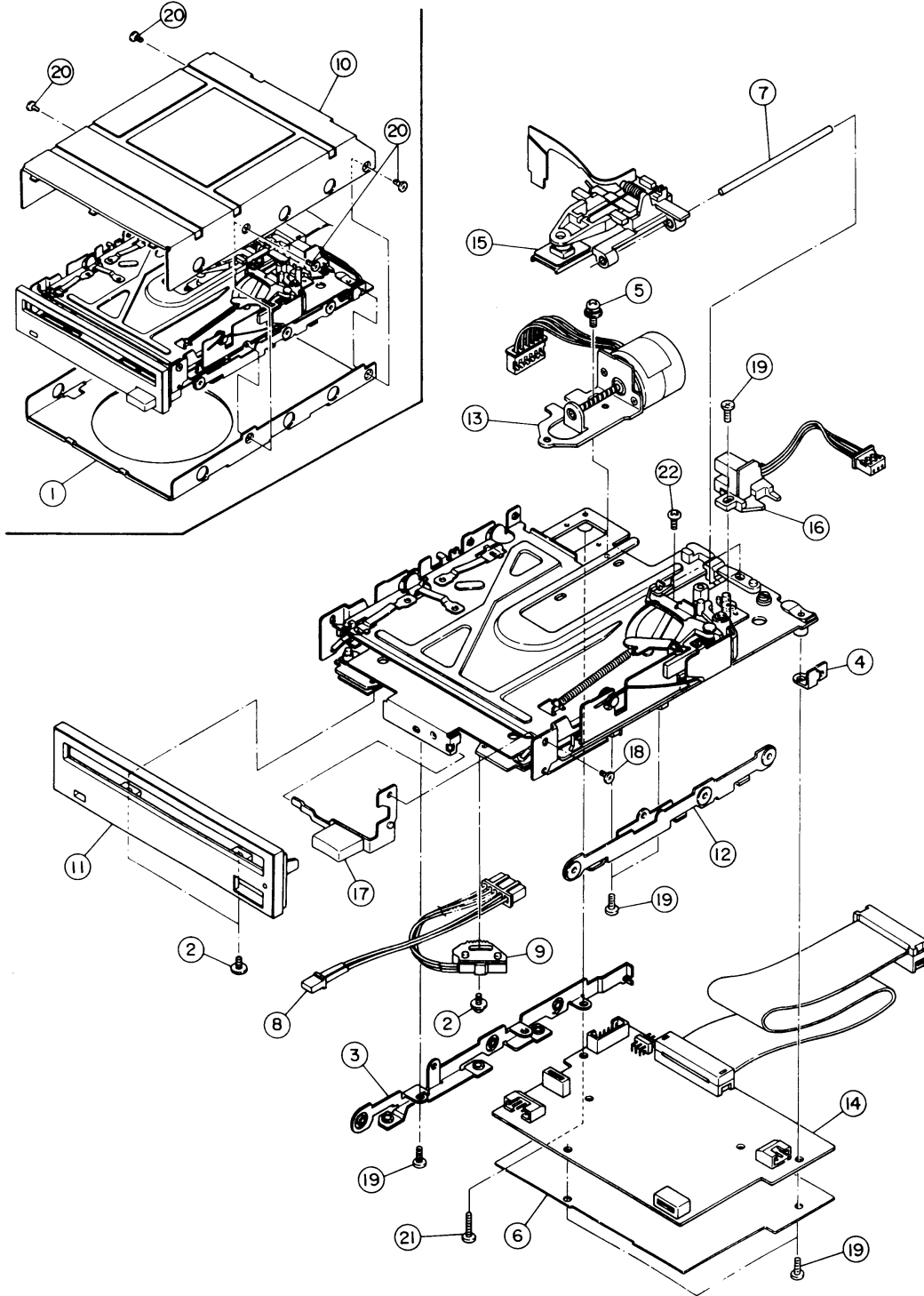
C-11

C-5. CRT/POWER SUPPLY PCB ASSEMBLY

GOLD STAR Co., Ltd  
P/N 111-862A  
GSEP-2112

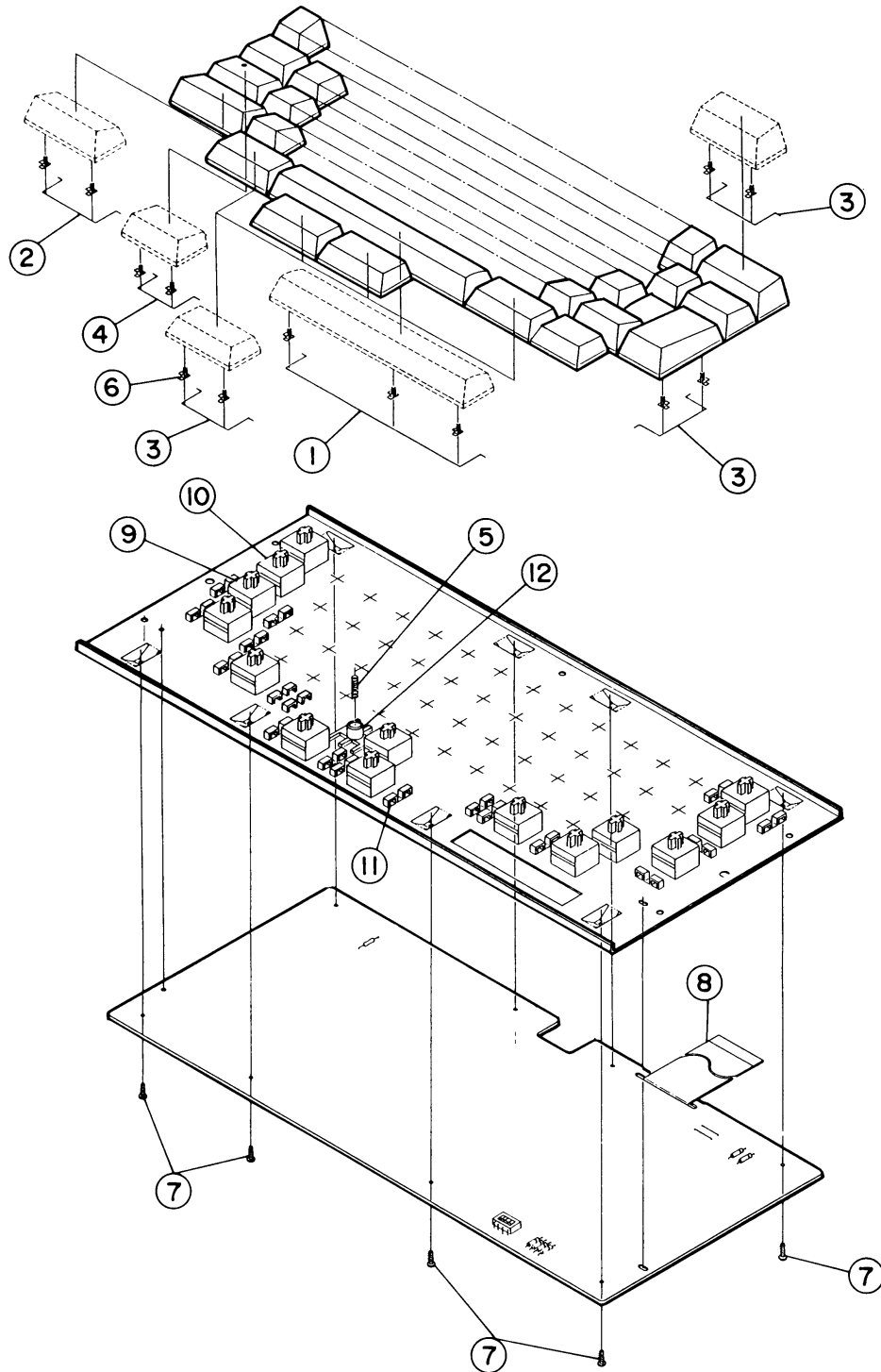


### C-6. MICRO FDD UNIT



C-17

### C-7. KEYBOARD UNIT



C-19



